



PARTS MANUAL

TAMPING RAMMER

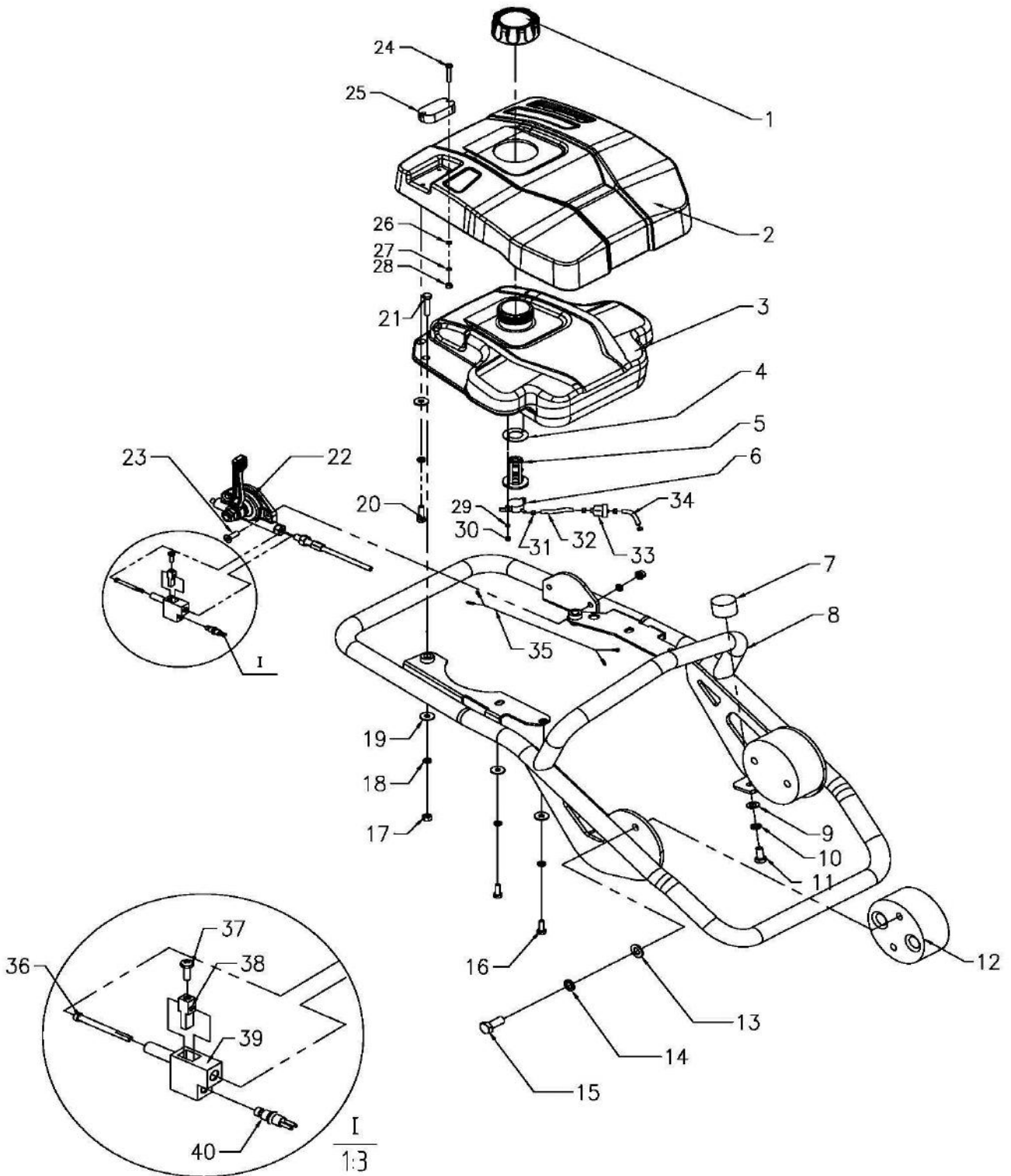
PMR70HN



PARTS LIST 1 PMR70HN SERIES

HANDLE ASSEMBLY

PMR70HN-BOM01-D



PMR70RN-BOM01-D

PARTS LIST 1

PMR70HN SERIES

HANDLE ASSEMBLY

PMR70HN-BOM01-D

ITEM NO.	PART NO.	DESCRIPTION	ERP NO.	QTY	REMARK
1	MRS80-801002NW	FUEL TANK CAP	40903054	1	
2	PMR70RN.00-10	UPPER COVER	41205091	1	
3	PMR70RN.06-01	FUEL TANK	41206015	1	
4	PMR70RN.06-03	SEALING GASKET	40504196	1	
5	PMR70RN.06-02	FUEL TANK OUTLET SCREEN.	41402038	1	
6	DY100	THROTTLE	41403104	1	
7	333/L7319	ARMREST CUSHION	41201086	2	
8	PMR70RN.01	HANDLE ASSY	50303001	1	
9	GB97.1-8	FLAT GASKET 8	20501007	2	
10	GB93-8	SPRING WASHER 8	20509006	2	
11	GB5783-M8x16	HEX BOLT M8X16	20102116	2	
12	PMR70RN.00-01	SHOCK ABSORBER ASSY	41201160	2	
13	GB97.1-10	FLAT GASKET 10	20501009	4	
14	GB93-10	SPRING WASHER 10	20509008	4	
15	GB5783-M10x25	BOLT M10X25	20102152	4	
16	GB5783-M10x16	BOLT M16X16	20102165	4	
17	GB889.1-M6	LOCK NUT M6	20405002	4	
18	GB93-6	SPRING WASHER 6	20509004	10	
19	GB96.1-6	LARGE WASHER 6	20504002	8	
20	GB5783-M6x20	BOLT M16X20	20102054	2	
21	GB5783-M6x30	BOLT M16X30	20102056	2	
22	MRS80-9910B	THROTTLE ASSY	41403094	1	
23	GB70.3-M6x20	HEX SOCKET COUNTERSUNK FLAT CAP HEAD SCREW M6X20	20308052	2	
24	GB818-M4x25	CROSS RECESS PAN HEAD SCREW	20301012	2	
25	trail tech	HOUR METER	41408100	1	
26	GB97.1-4	FLAT GASKET 4	20501001	2	
27	GB93-4	SPRING WASHER 4	20509001	2	
28	GB889.1-M4	LOCK NUT M4	20405012	2	
29	GB93-3	SPRING WASHER 3	20509025	2	
30	GB6170-M3	NUT M3	20401017	2	
31	MRS80-801011W	FUEL TUBE CLAMP Φ 9	41406003	4	

PARTS LIST 1

PMR70HN SERIES

HANDLE ASSEMBLY

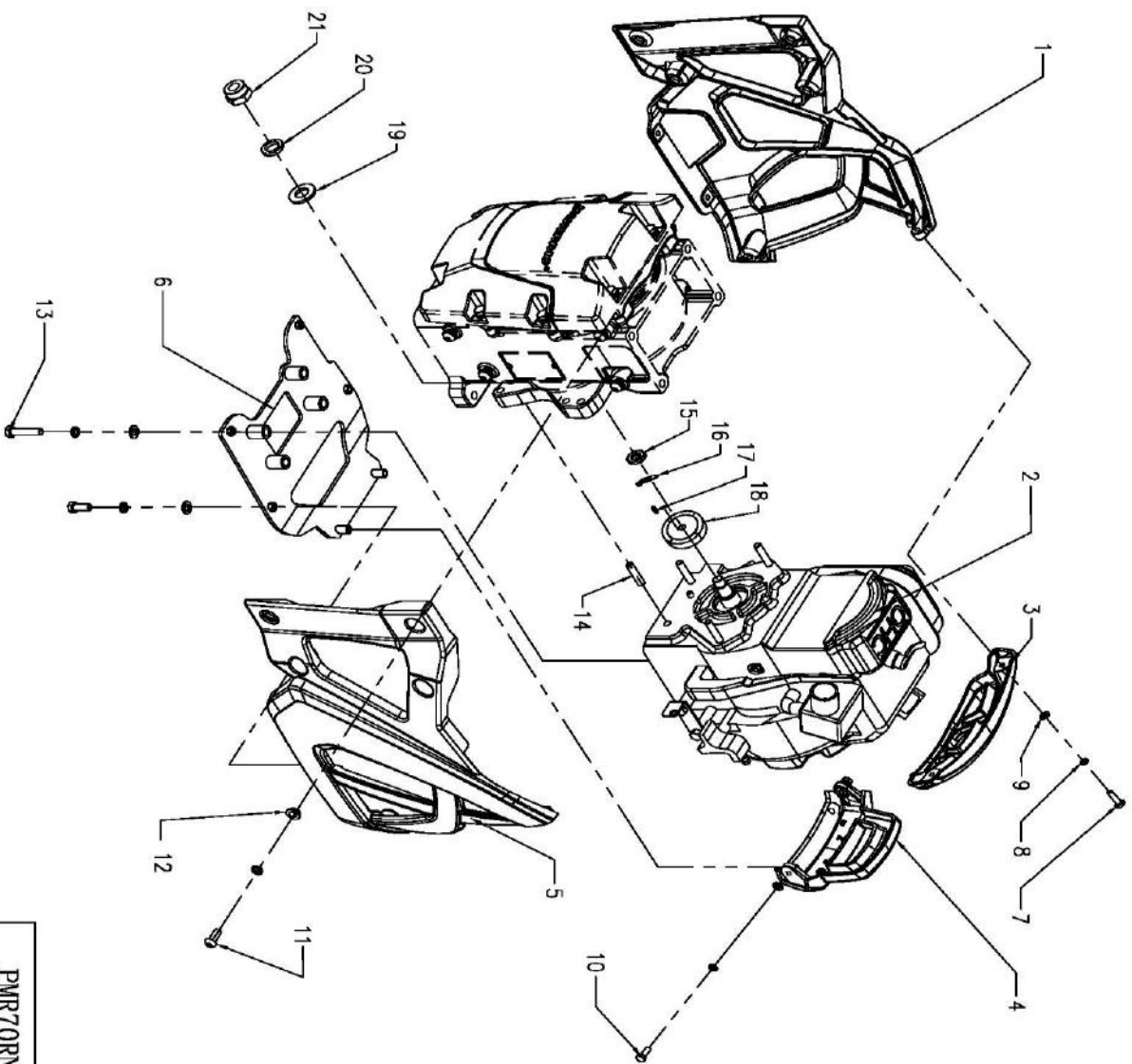
PMR70HN-BOM01-D

32	MRS80-801100W	FUEL TUBE	41001112	1	KRSB
	MRS80-801240W	FUEL TUBE	41001127	1	KRB4
33	MRS80-801010W	FILTER	41402006	1	KRSB
34	MRS80-801200W	FUEL TUBE	41001113	1	KRSB
35	PMR70RN.00-11	FLAMEOUT SWITCH CONNECTOR.	50303002	1	
36	PMR70RN.00-13	THROTTLE SWITCH TOP LEVER.	40201002	1	
37	GB818-M4x12	CROSS RECESS PAN HEAD SCREW	20301006	1	
38	PMR70RN.00-14	PUSH BUTTON PANEL	40201003	1	
39	PMR70RN.00-12	THROTTLE SWITCH BOLT	40201001	1	
40	PSB 105 ZJ	SWITCH ASSY	50303004	1	

PARTS LIST 2 PMR70HN SERIES

POWER AND PROTECTIVE ASSY

PMR70HN-BOM02-D



PMR70RN-BOM02-D

PARTS LIST 2 PMR70HN SERIES

POWER AND PROTECTIVE ASSY

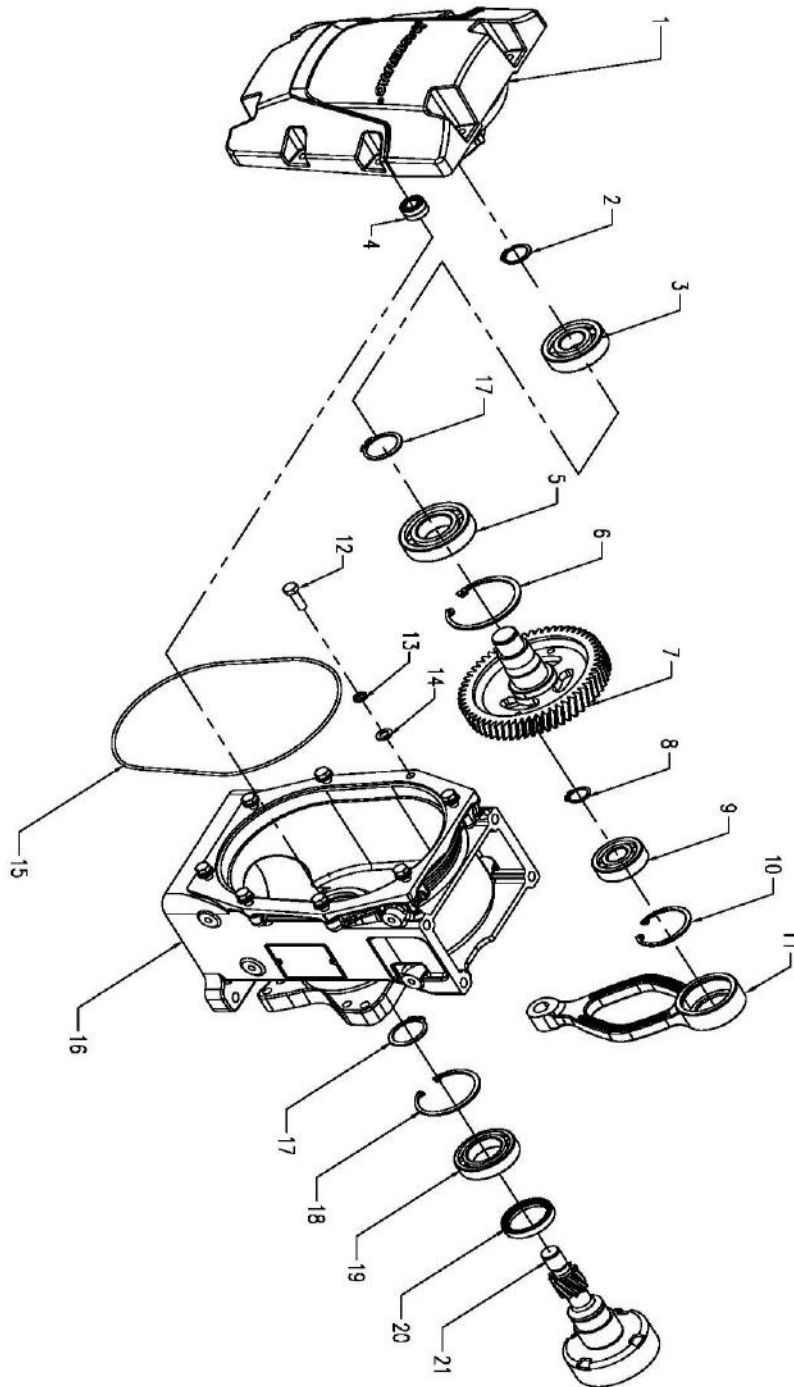
PMR70HN-BOM02-D

ITEM NO.	PART NO.	DESCRIPTION	ERP NO.	QTY	REMARK
1	PMR70RN.00-02	THE LEFT COVER	41205086	1	
2	GXR120RT-KRSB	ENGINE ASSY	41401131	1	
3	PMR70RN.00-04	AFTER THE COVER	41205088	1	
4	PMR70RN.00-05	AFTER THE BOTTOM COVER	41205089	1	
5	PMR70RN.00-03	RIGHT SHIELD	41205087	1	
6	PMR70HN.02	CONNECTING PLATE ASSY	40206068	1	
7	GB5783-M6x20	BOLT M6X20	20102054	10	
8	GB93-6	SPRING WASHER 6	20509004	14	
9	GB97.1-6	FLAT GASKET 6	20501005	14	
11	GB70.2-M8x20	SCREW M8X20	20307001	8	
12	PMR70RN.00-16	SHIELD BUSHING	40504197	8	
13	GB5783-M8x40	BOLT M8X40	20102107	4	
14	GB900-M8x55	BOLT M8X55	20201003	4	
15	GB6173-M12X1.25	HEXAGON SOCKET HEAD SCREW.	20407002	1	
16	MRS80-809006	LOOSE PROOF WASHER	40504008	1	
17	DIN6888-4X5	KEY 4X5	20902001	1	
18	MRS80-809000R-JK	CLUTCH ASSY	50503003	1	
19	GB97.1-8	FLAT GASKET 8	20501007	4	
20	GB93-8	SPRING WASHER 8	20509006	4	
21	GB889.1-M8	LOCK NUT	20405004	4	

PARTS LIST 3 PMR70HN SERIES

GEAR BOX ASSY

PMR70HN-BOM03-D



PMR70HN-BOM03-D

PARTS LIST 3 PMR70HN SERIES

GEAR BOX ASSY

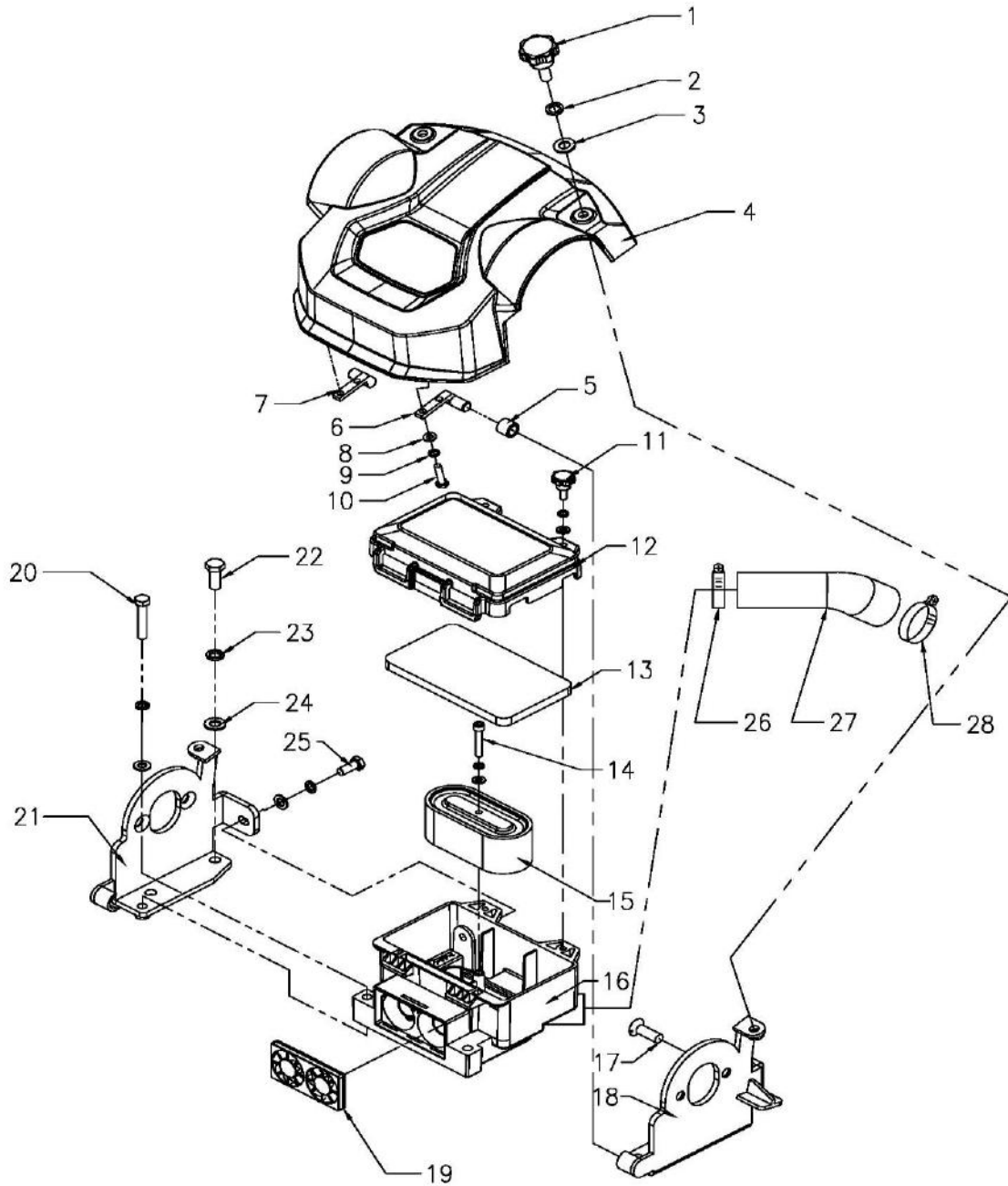
PMR70HN-BOM03-D

ITEM NO.	PART NO.	DESCRIPTION	ERP NO.	QTY	
1	PMR70RN. 07-01	GEAR BOX COVER	40901058	1	
2	GB894. 1-25	CIRCLIP FOR SHAFT 25	20601010	1	
3	GB276-6305Z	BEARING 6305	21001097	1	
4	FJ1816	NEEDLE BEARING	21012023	1	
5	GB276-6207	BEARING 6207	21001062	1	
6	GB893. 1-72	RETAINING RING 72-GB893. 1	20602011	1	
7	PMR70RN. 07-04	CRANK GEAR	40601021	1	
8	GB894. 1-20	CIRCLIP FOR SHAFT 20	20601008	1	
9	GB276-6304	BEARING 6304	21001066	1	
10	GB893. 1-52	RETAINING RING 52-GB893. 1	20602008	1	
11	PMR70RN. 07-03	CONNECTING ROD	40407018	1	
12	GB5783-M8x25	HEX BOLT M8X25	20102102	8	
13	GB93-8	SPRING WASHER 8-GB93	20509006	8	
14	GB97. 1-8	WASHER 8-GB97. 1	20501007	8	
15	GB3452. 1-210x3. 55	O-RING	21101461	1	
16	PMR70RN. 07-01	GEAR BOX	40901058	1	
17	GB894. 1-35	CIRCLIP FOR SHAFT 35	20601014	2	
18	GB893. 1-62	RETAINING RING 62	20602009	1	
19	GB276-6007Z	BEARING 6007Z	21001052	1	
20	GB13871-FB40x52x8	LIP-TYPE PACKING40×52×8	21106002	1	
21	PMR70RN. 07-05	PINION SHAFT	40602009	1	

PARTS LIST 4
PMR70HN SERIES

AIR FILTER

PMR70HN-BOM04-D



PMR70HN-BOM04-D

PARTS LIST 4 PMR70HN SERIES

AIR FILTER

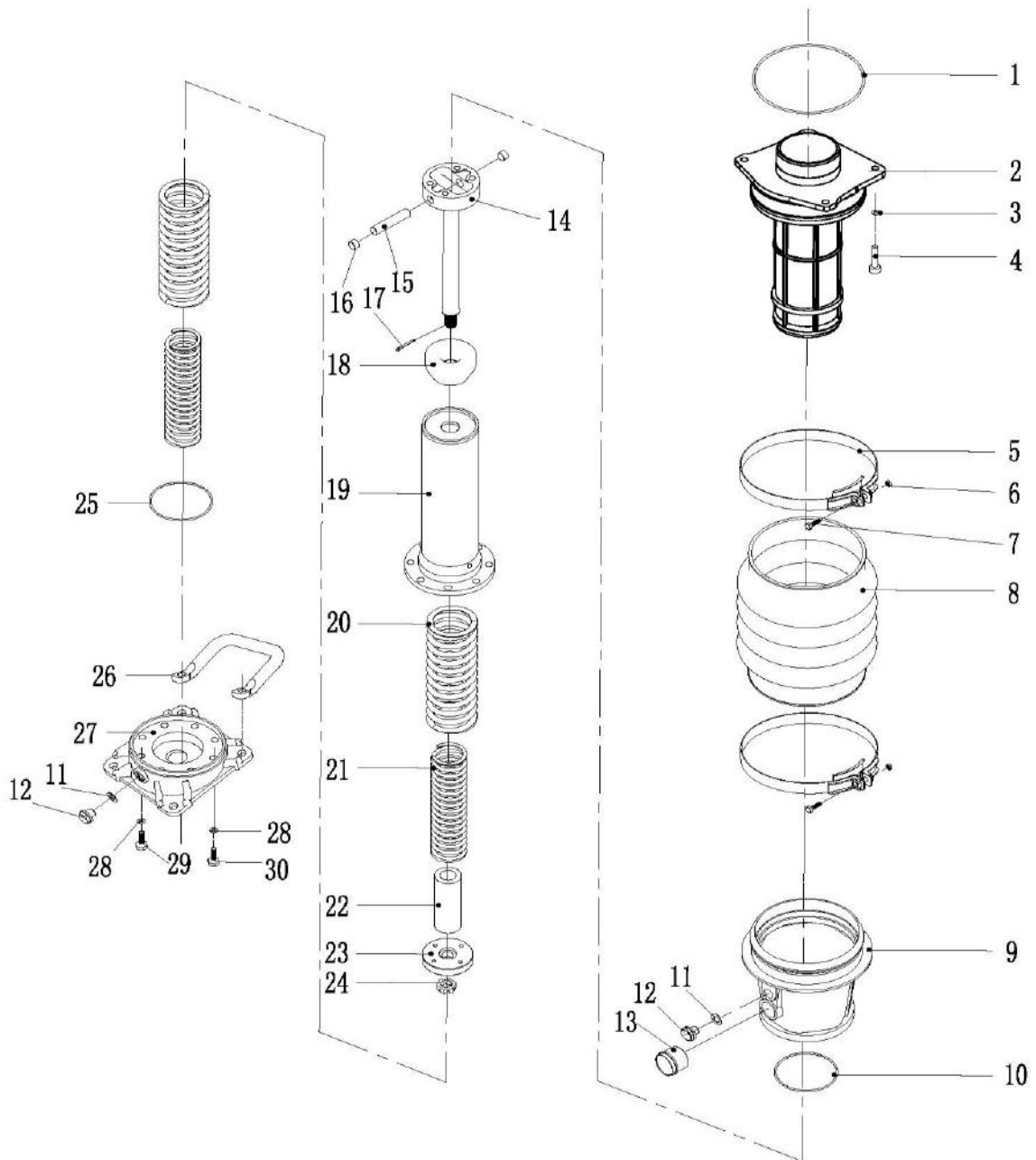
PMR70HN-BOM04-D

ITEM NO.	PART NO.	DESCRIPTION	ERP NO.	QTY	REMARK
1	JB3717.22-M8x25	HAND WHEEL	21305007	2	
2	GB93-8	SPRING WASHER 8	20509006	6	
3	GB97.1-8	FLAT GASKET 8	20501007	6	
4	PMR70RN.00-06	FRONT KNIFE PLATE	41205090	1	
5	MRS80-805001GC-09	NYLON COVER	41201064	2	
6	PMR70RN.00-08	LEFT-BRACKET	40207062	1	
7	PMR70RN.00-09	RIGHT-BRACKET	40207063	1	
8	GB97.1-6	FLAT GASKET 6	20501005	7	
9	GB93-6	SPRING WASHER 6	20509004	7	
10	GB5783-M6x25	HEX BOLT M6X25	20102055	4	
11	JB3717.22-M6x20	THE FAN WHEEL	41405029	2	
12	PMR70RN.05-01	AIR FILTER COVER	40902028	1	
13	PMR70RN.05-06	EMPTY FILTER CARTRIDGE	41402040	1	
14	GB70.1-M6x35	SOKET HEAD CAP BOLT	20306059	1	
15	TJ-GM-313	EMPTY FILTER CARTRIDGE	41402039	1	
16	PMR70RN.05-02	AIR FILTER SHELL	40902029	1	
17	GB70.3-M10x25	HEXALOBULAR SOCKET	20308150	4	
18	PMR70RN.03	LEFT SUPPORT PLATE ASSEMBLY	40206066	1	
19	PMR70RN.05-03	WHIRLWIND WINDOW	41204027	1	
20	GB5782-M8x45	HEX BOLT M8X25	20101021	2	
21	PMR70RN.04	RIGHT SUPPORT PLATE ASSEMBLY	40206067	1	
22	GB5783-M10x25	HEX BOLT M10X25	20102152	4	
23	GB93-10	SPRING WASHER 10	20509008	4	
24	GB97.1-10	FLAT GASKET 10	20501009	4	
25	GB5783-M8x20	HEX BOLT M8X20	20102101	2	
26	DSHK-40-60	TUBE CLAMP	41406031	2	
27	PMR70HN.05-07	REDUCER UNION	41102044	1	

PARTS LIST 5 PMR70HN SERIES

UNDER GUIDE ASSEMBLY

PMR70HN-BOM05-D



PMR70HN-BOM05-D

PARTS LIST 5 PMR70HN SERIES

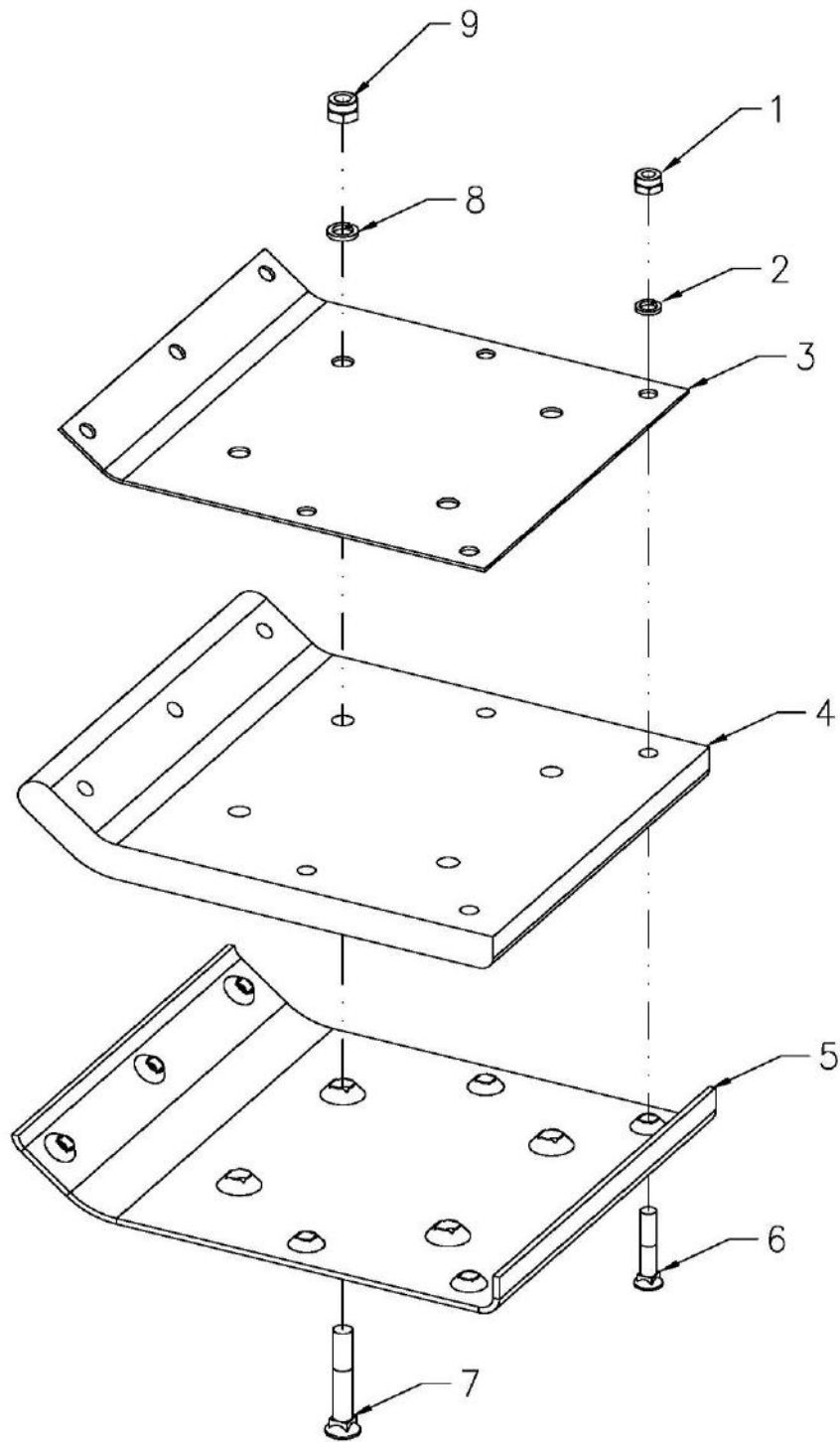
UNDER GUIDE ASSEMBLY

PMR70HN-BOM05-D

ITEM NO.	PART NO.	DESCRIPTION	ERP NO.	QTY	REMARK
1	GB3452.1-97.5x5.3	O RING 160X5.3	21101028	1	
2	PMR70RN.08-01	GUIDE CYLINDER	40505076	1	
3	GB93-10	SPRING WASHER 10	20509008	4	
4	GB70.1-M10x35	SOKET HEAD CAP BOLT M10	20306156	4	
5	MRS80-803204D	BELLOW CLAMP	40101001	2	
6	MRS80-803203	BELLOW	41205003	1	
7	GB6170-M8	NUT M8	20401004	2	
8	GB5783-M8x40	BOLT M8X40	20102107	2	
9	MRS80-803111E	SPRING CYLINDER	40505002	1	
10	GB3452.1-95x2.65	O RING95×2.65	21101055	1	
11	JB1002-14	COPPER GASKET	21105004	4	
12	MRS80.GZ01	PLUG SCREW M14X1.5	40401001	2	
13	GB1160.2-M24X1.5	OIL LEVER GAUGE M24×1.5	21110002	1	
14	MRS80-803301B	PISTON ROD	40406001	1	
15	MRS80-803302	PISTON PIN	40402002	1	
16	MRS80-803306	PISTON PLUG	41201038	2	
17	GB91-3.2x36	COTTER 3.2×36	20805050	1	
18	MRS80-803304	RUBBER	41202001	1	
19	MRS80-803102A	DOWN GUIDE CYLINDER	40505004	1	
20	MRS80-803001D	INNER SPRING	40103002	2	
21	MRS80-803002D	OUTER SPRING	40103007	2	
22	MRS80-803305	STOPPER LOWER	41201040	1	
23	MRS80-803303A	PISTON END	40705001	1	
24	GB9457-M18x1.5	SLOTTED NUT M18×1.5	20410001	1	
25	GB3452.1-87.5X3.55	O RING 87.5×3.55	21101152	1	
26	MRS62-2006	HANDLE	41003001	1	
27	MRS80-803101D	FOOT PLATE	40804001	1	
28	GB93-10	SPRING WASHER 10	20509008	8	
29	GB70.1-M10x20	SOKET HEAD CAP SCREW M10×20	20306150	4	
30	GB70.1-M10x40	SOKET HEAD CAP SCREW M10×40	20306158	4	

PARTS LIST 6
PMR70HN SERIES

FOOT ASSEMBLY
PMR70HN-BOM06-D



PMR70HN-BOM06-D

PARTS LIST 6
PMR70HN SERIES

FOOT ASSEMBLY

PMR70HN-BOM06-D

ITEM NO.	PART NO.	DESCRIPTION	ERP NO.	QTY	
1	GB889.1-M10	HEXAGONAL NUT M10	20405006	7	
2	GB93-10	SPRING WASHER 10-GB93	20509008	7	
3	PMR70RN.09-01	RAM PANEL	40207011	1	
4	PMR70RN.09-02	CRASH PAD	40207012	1	
5	PMR70RN.09-03	RAM PLATE	40207013	1	
6	MRS80-802005A	BOLT M10X52	20103005	7	
7	MRS80-802004A-70	BOLT M12X70	20103004	4	
8	GB93-12	SPRING WASHER 12	20509009	4	
9	GB889.1-M12	HEXAGONAL NUT M12	20405007	4	



MASTERPAC USA

1260 Old Franklin Turnpike
Suite B, Rocky Mount, Virginia 24151, USA
Tel: +1-540-483-2606
E-mail: usa@masterpac.eu

MASTERPAC ASIA:

Add. Weisi Road, Baohe Industrial Estate, P.R.C.
Tel. 86-551-64846601, 64846580
Fax. 86-551-64846616, 64846626
E-mail. sales@masterpac.eu
www.masterpac.eu