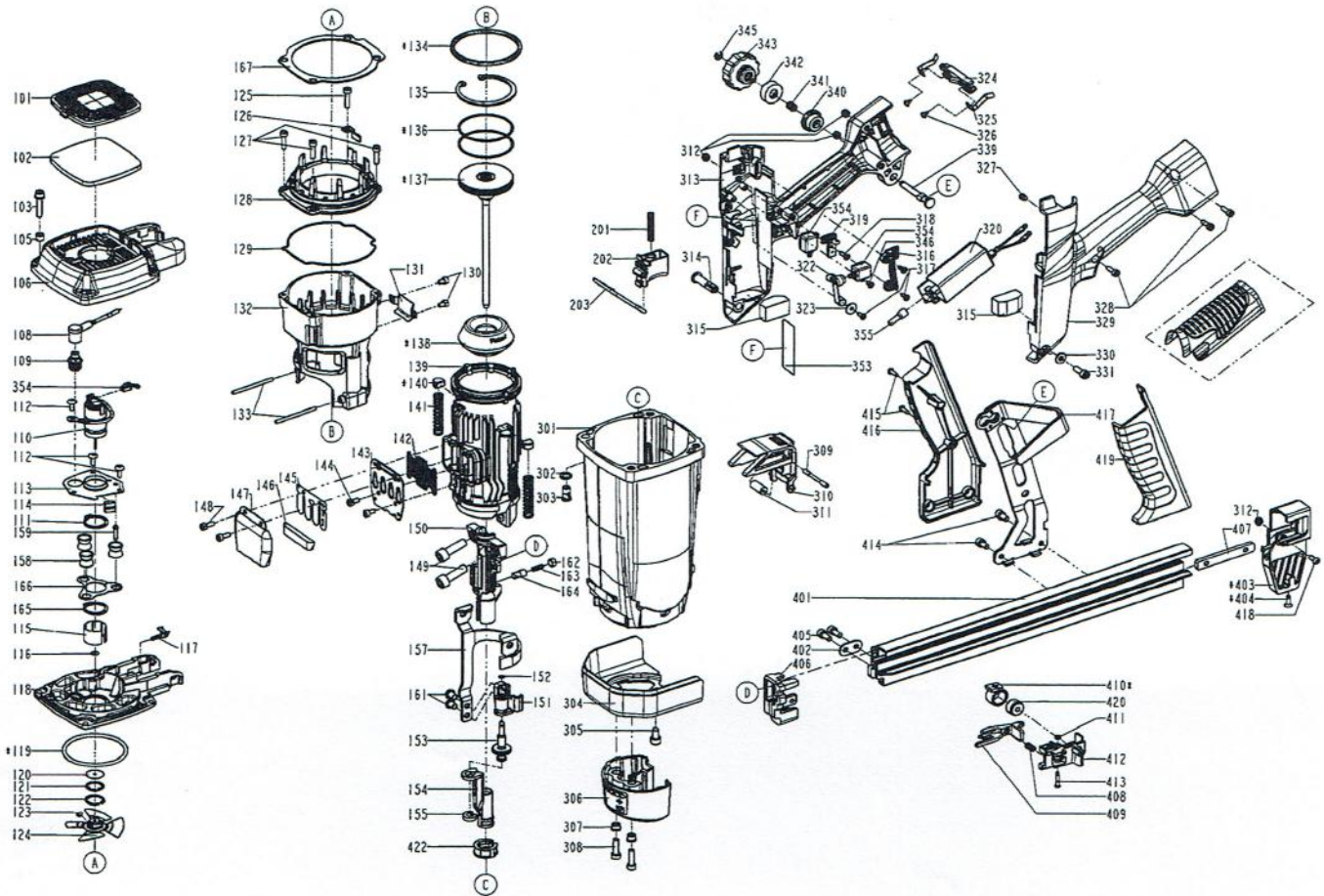


ESPLOSO CHIODATRICE CN40



ITEM NO.	PART NO.	DESCRIPTION	ITEM NO.	PART NO.	DESCRIPTION	ITEM NO.	PART NO.	DESCRIPTION
101	11371-1154705-1	DEFLECTOR	146	1139L-1150001-1	CLEANER	322	1120R-1150001-2	MOTOR FAN SWITCH LEVER UNIT
102	1121N-1150002-1	FILTER UNIT	147	113A3-1150001-1	DEFLECTOR	323	2040201-01040-0	FLAT WASHER
103	2040100-03130-0	BOLT W/FLAT WASHER	148	2040101-02040-0	HEX.SOC.HD.BOLT	324	1136H-1154701-1	BATTERY NODE BRACKET
105	1136P-1154701-1	COLLAR	149	2040101-05020-2	HEX.SOC.HD.BOLT	325	113A8-1150001-1	BATTERY NODE
106	11369-1154702-1	CAP	150	11382-1274704-3	NOSE PIECE	326	2040107-01040-0	TAP BOLT
108	11216-1150003-3	HIGH VOLTAGE CABLE SET	151	11256-1274705-1	SAFETY B UNIT	327	113AP-1150001-1	LED COVER
109	1120D-1154701-1	SPARKLER	152	2040309-00010-0	SELF-LOCKING EXTERNAL NUTS	328	2040101-02070-0	HEX.SOC.HD.BOLT
110	1120N-1150003-1	MOTOR UNIT	153	11249-1274701-1	ADJUST AXIE UNIT	329	11233-1154720-1	HANDLE B UNIT
111	2040301-17010-0	C - RING	154	11331-1274702-1	SAFETY A	330	2040201-03040-0	FLAT WASHER
112	2040102-02043-5	HALF ROUND HD.HEX.BOLT	155	1131C-1154703-1	RING	331	2040101-03070-2	HEX.SOC.HD.BOLT
113	1131J-1154701-1	POSITIONING SHEET	157	11330-1274703-1	SAFETY C	339	1131H-1274701-1	FIXING BOLT
114	1136H-1154704-1	GROUND WIRE BRACKET	158	1134W-1154706-1	FEED BUMPER	340	11380-1274702-1	GASKET
115	11398-1150002-1	SLEEVE MOTOR	159	113CK-1150001-1	POSITIONING SHAFT	341	1133C-0790001-2	STOPPER FINGER SPRING
116	11380-1150001-1	WASHER-MOTOR SHAFT	161	2040102-04100-1	HALF ROUND HD.HEX.BOLT	342	11381-0370001-1	WASHER
117	113A6-1151101-3	FUEL STEM ADAPTER	162	2040104-05030-0	HEX.SOC.HD.SCREW	343	1136J-1270001-1	HAND UNT
118	1139U-1150002-2	END CAP-COMBUSTION CHAMBER	163	1230J-1024701-1	PIN	345	2040302-23010-0	E - RING
119	2041108-06131-0	O - RING	164	11325-1274701-1	PIN	346	2040108-01030-5	SELF TAPPING BOLT
120	1136X-1150001-1	SEAL	165	2040301-25010-0	C - RING	353	21768-1270004-1	HANDLE LABEL
121	11323-1150003-1	SEAL PLATE-MOTOR	166	1133X-1150001-1	SPACER	354	1122B-1150002-2	MOTOR CABLE
122	2040303-35010-0	IN-CONCENTRIC RING	167	1133X-1154702-1	SPACER	355	113EJ-1150001-1	INSULATING SLEEVE
123	2040104-02010-5	HEX.SOC.HD.SCREW	201	11319-1154701-1	SPRING	401	11389-1274708-2	MAGAZINE A
124	1120C-1150001-2	COOLING FAN ASSEMBLY	202	11316-1154705-1	TRIGGER	402	11380-1274705-1	GASKET
125	2040101-02090-0	HEX.SOC.HD.BOLT	203	11335-1150005-1	SAFETY	403	11390-1274701-4	PROTECTING HOOD COVER
126	1135B-1150002-2	GUIDE	301	11384-1156102-3	GUN BODY	404	2040107-02111-0	TAP BOLT
127	2040101-02080-4	HEX.SOC.HD.BOLT	302	11380-1154702-1	WASHER CAP	405	2040100-03090-2	BOLT ASSY
128	113AE-1150002-2	UPPER COMBUSTION CHAMBER	303	11398-1150001-1	CAP NUT	406	1136H-1274701-3	FIXED SUPPORT
129	1132M-1150901-1	PACKING	304	11260-1274702-1	CONNECTION PLATE-NOSE	407	11380-1274701-1	GASKET
130	2040101-02020-2	HEX.SOC.HD.BOLT	305	2040101-04010-2	HEX.SOC.HD.BOLT	408	11337-0370003-1	SAFETY SPRING
131	1139B-1150001-2	WASHER	306	1137A-1274702-2	SAFETY COVER	409	11363-1274705-4	PUSHER
132	1139V-1150002-3	COMBUSTION CHAMBER	307	11398-1154702-1	WASHER-NOSE COVER	410*	11372-1094701-1	SPRING
133	1131K-1150001-1	PIN	308	2040101-03080-2	HEX.SOC.HD.BOLT	411	1131D-0460001-1	URETHANE RETAINER
134	2041104-07061-0	O-RING	309	11325-1154702-1	PIN-FUEL ACTUATOR	412	1136E-1274701-2	PROTECTING HOOD COVER
135	2040300-14010-2	C - RING	310	113A7-1154701-2	FUEL ACTUATOR	412	1136E-1274702-2	PROTECTING HOOD COVER
136	11350-1154701-1	PISTON RING	311	11398-1154701-1	BUSH-FUEL ACTUATOR	413	11324-0684701-1	FIXED PIN
137	11204-1270002-2	DRIVER UNIT	312	2040500-02010-0	LOCK NUT	414	2040100-03110-0	BOLT ASSY
138	11327-1154701-1	BUMPER	313	11233-1154719-1	HANDLE A UNIT	415	2040107-01100-0	TAP BOLT
139	11320-1090004-4	CYLINDER	314	11325-1154701-2	HANDLE BOLT	416	11397-1274705-1	ATTACHMENT PLATE COVER B
140	1134W-1154705-1	BUMPER-COMBUSTION CHAMBER	315	1138W-1270001-1	SPACER	417	11275-1274701-1	BRACKET UNIT
141	11337-1154701-1	SAFETY SPRING	316	11323-1154706-1	BRACKET UNIT	418	2040102-02040-0	HALF ROUND HD.HEX.BOLT
142	1139W-1150001-2	EXHAUST MESH PLATE	317	2040108-01020-5	SELF TAPPING BOLT	419	11397-1274704-1	ATTACHMENT PLATE COVER A
143	113AD-1150001-1	EXHAUST BAFFLE	318	2040108-01040-6	SELF TAPPING BOLT	420	11386-1260001-2	ROLLING ELEMENT
144	2040101-02030-0	HEX.SOC.HD.BOLT	319	11323-1154707-2	WIRE GUIDE B	422	11276-1270001-1	MAGNET ASSMBLY
145	1139X-1150001-2	REED VALVE	320	1120G-1150005-2	PCB ASSEMBLY			