

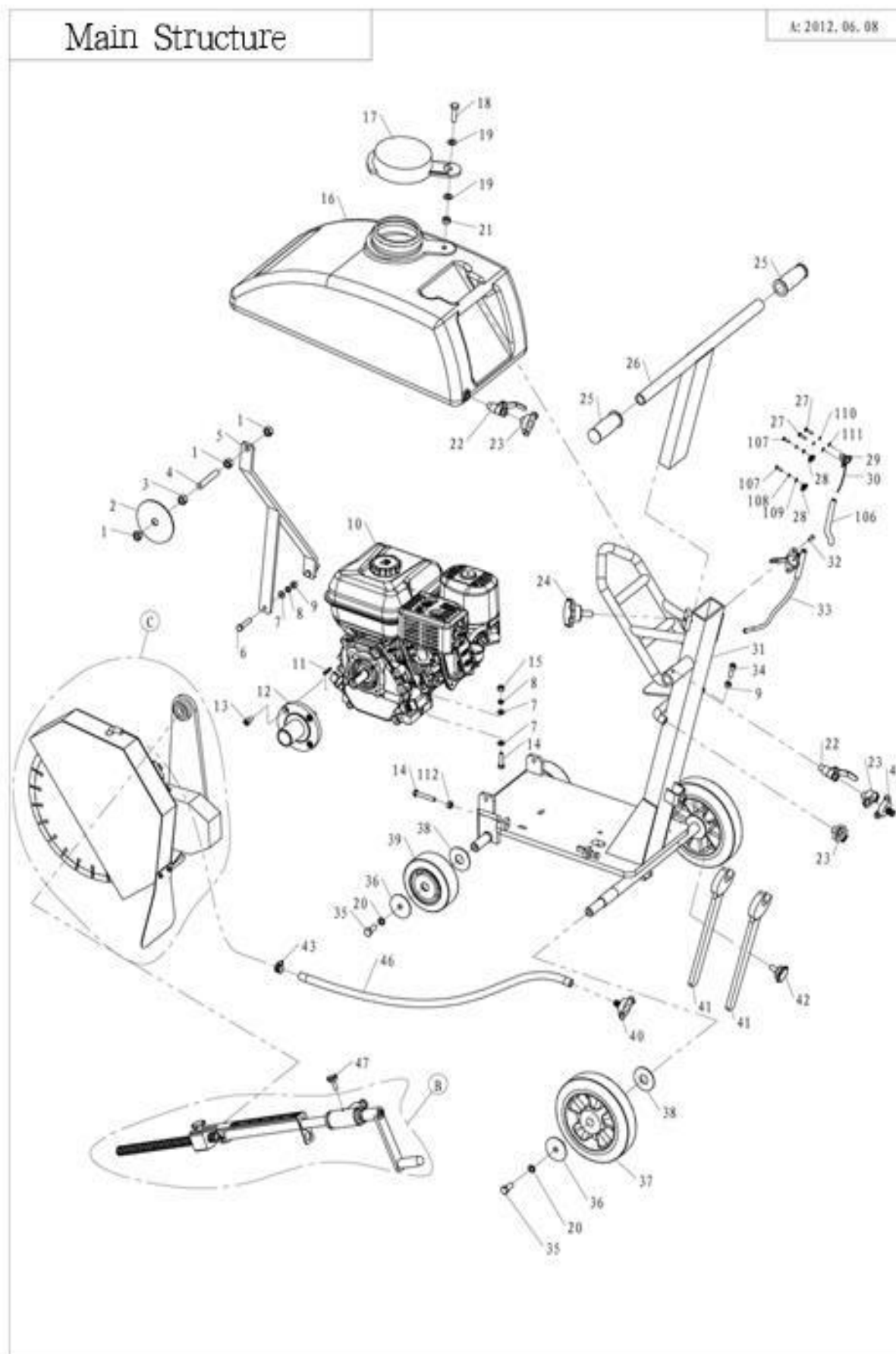


PARTS MANUAL CONCRETE CUTTER

PMF14 SERIES



PARTS LIST 1
PMF14 MAIN STRUCTURE



PARTS LIST 1
PMF14 MAIN STRUCTURE

ITEM NO.	PART NO.	DESCRIPTION	ERP NO.	QTY	REMARK
1	GB/T889. 1-M12	LOCK NUT M12	20405007	3	
2	PMF14. 02. 10	PAN	40504065	1	
3	PMF14. 02. 09	GNUT	40707001	1	
4	M12	BOLT M12X80	20201001	1	
5	PMF14. 02. 07	GUIDE ROD	40303035	1	
6	GB/T5783-M8X35	HEXANGULAR SCREW M8X35	20102106	2	
7	GB/T97. 1-8	FLAT WASHER 8	20501007	2	
8	GB/T93-8	SPRING WASHER 8	20509006	2	
9	GB/T889. 1-M8	LOCK NUT M8	20405004	2	
10	GX160 QXC9	ENGINE		1	
11	GB/T1096-4. 72X30	KEY 4.72X30		1	QX ENGINE
	GB/T1096-5X30	KEY 5X30		1	SX ENGINE
12	PMF14. 01. 11	BRACKET	40503013	1	
13	5/16 - 24UNF*1"ANSIB18. 2	SOCKET SCREW 5/16"	20109008	1	QX
	GB/T70. 1-M8X25	SOCKET SCREW M8X25	20306103	1	SX
14	GB/T5783-M8X50	HEXANGULAR BOLT M8X50	20102110	4	
15	GB/T889. 1-M8	LOCK NUT M8	20405004	2	
16	PMF14. 01. 03	WATER TANK	41207005	1	
17	MYS70. 06. 00-02	TANK COVER	41205013	1	
18	GB/T5783-M10X35	HEXANGULAR BOLT M10X35	20102155	1	
19	GB/T97. 1-10	FALT WAHER 10	20501009	2	
20	GB/T93-10	SPRING WASHER 10	20509008	2	
21	GB/T889. 1-M10	LOCK NT M10	20405006	1	
22	PMF14F. 01. 120608	VALVE	41403037	2	
23	PMF14. 01. 15	CONNECTOR	41105001	3	
24	JB3717. 22-M12X20	CLAMP KNOB M12X20	21305009	1	
25	MG12-0731	HANDLE GLOVE	41202006	2	
26	PMF14. 02. 01	UPPER HANDLE	40305022	1	
27	GB/T848	SCREW ST4X8	20301001	2	
28	JTKG-12	CLAMP Φ12	41406020	2	
29	MRS80-809916W	OFF SWITCH	41403002	1	
30	MRS80-809916	CABLE	41403003	1	
31	PMF14. 02. 06A	WELD ASSY.	40802016	1	
32	GB/T70. 3-M6X16	SOCKET SCREW M6X16	20308054	2	
33	PMF14. 01. 18B	THROTTLE CONTROL LEVER	41403036	1	
34	GB/T70. 1-M8X20	SOCKET BOLT M8X20	20306102	1	
35	GB/T5783-M10X25	HEXANGULAR BOLT M10X25	20102152	3	

PARTS LIST 1
PMF14 MAIN STRUCTURE

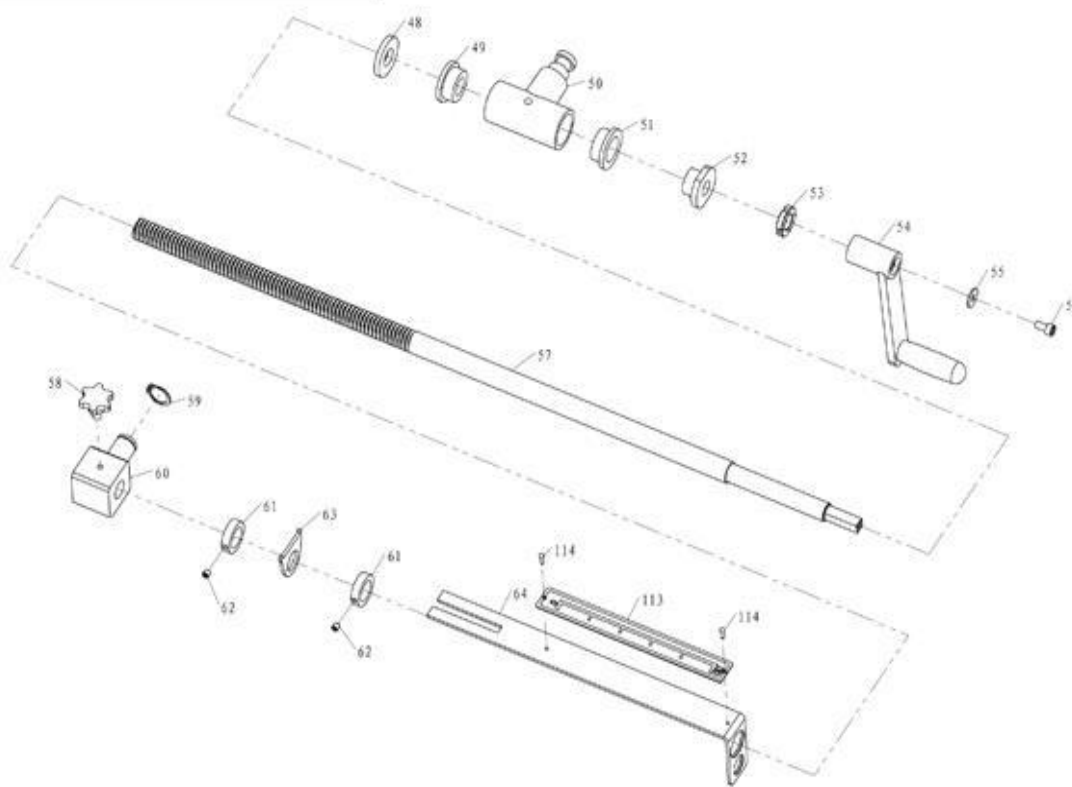
ITEM NO.	PART NO.	DESCRIPTION	ERP NO.	QTY	REMARK
36	PMF14. 02. 11	PULLEY COVER	40504064	4	
37	PA200X50X50	PULLEY φ200	41405006	2	
38	PMF14. 02. 08	PULLEY WASHER	40504063	4	
39	PA125X50X50	PULLEY φ125	41405005	2	
40	PMF14. 01. 16	QUICK FITTING	41105002	2	
41	GB/T4388-S34	WRENCH S34	21304001	2	
42	JB3717. 22-M10x25	CLAMP KNOB M10X25	21305003	1	
43	DSHK-12-22 (宽 Q)	CLAMP Φ12-22	41406009	1	
46	PMF14F. 03. 120608	PIPE Φ12L=800	41002024	1	
47	JB3717. 22-M8X20	CLAMP KNOB M8X20	21305002	1	
106	PMF14F. 04. 120608	CHOKE CABLE	41404005	1	
107	GB/T5783-M6X10	HEXANGULAR BOLT M6X10	20102050	2	8.8级
108	GB/T93-6	SPRING WASHER 6	20509005	2	
109	GB/T97. 1-6	FLAT WASHER 6	20501005	2	
110	GB/T93-4	SPRING WASHER 4	20509001	4	
111	GB/T97. 1-4	FLAT WASHER 4	20501001	4	
112	GB/T6170-M8	NUT M8	20401004	1	

PARTS LIST 2

PMF14 HEIGHT ADJUSTING SYSTEM

Height Adjusting Sgstem

A: 2012. 06. 08

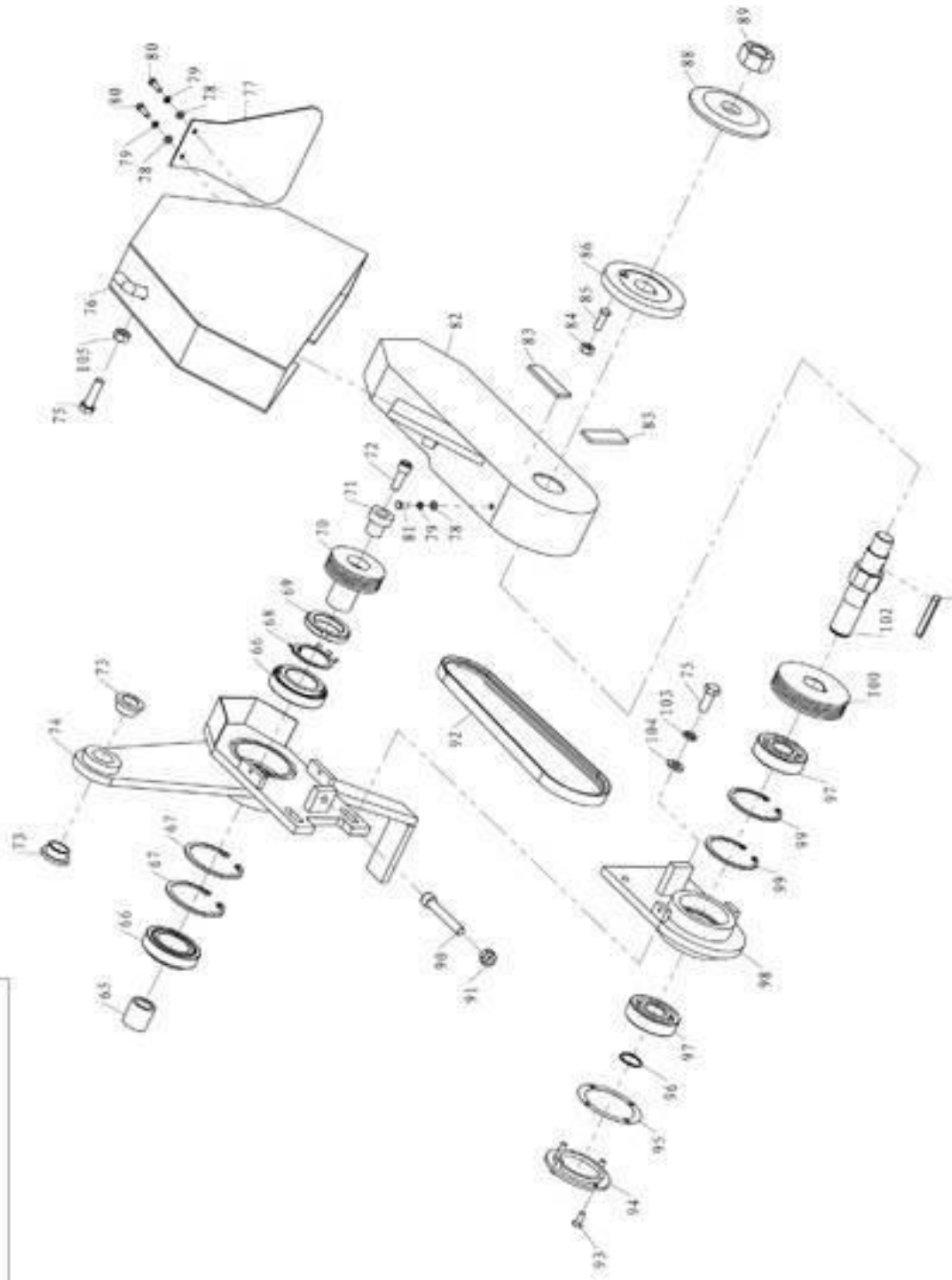


ITEM NO.	PART NO.	DESCRIPTION	ERP NO.	QTY	REMARK
48	PMF14. 01. 17	WASHER	40504061	1	
49	PMF14. 01. 14	BEARING	21012001	1	
50	PMF14. 01. 05	SLEEVE	40305023	1	
51	PMF14. 01. 13	SLIDING BEARING	21012002	1	
52	PMF14. 01. 04	BAFFLE	40707009	1	
53	GB/T810-M16	NUT M16	20417001	1	
54	QB8255. 1-B10x80	HANDLE A	41405007	1	
55	GB/T96. 1-6	WASHER Φ6	20504002	1	
56	GB/T70. 1-M6X12	SOCKET SCREW M6X12	20306050	1	
57	PMF14. 01. 06	ROD	40405002	1	
58	JB3717. 22-M6x16	CLAMP KNOB M6X8	21305001	1	
59	GB/T894. 1-20	RETAINING RING Φ20	20601008	1	
60	PMF14. 01. 02	NUT	40707002	1	
61	PMF14. 01. 9	PITCH RING	40504066	2	
62	GB/T77-M6X6	LOCK SCREW	20311050	2	
63	PMF14. 01. 10	STOPPER	40208041	1	
64	PMF14. 01. 07A	RULER	40206042	1	
113	PMF14. BS. 03	MARKER	40101006	1	
114	GB/T12618-Φ3.2*10	RIVET Φ3.2*10	20705004	2	

PARTS LIST 3
PMF14 CUTTING STRUCTURE

A: 2012. 06. 08

Cutting Structure



PARTS LIST 3
PMF14

ITEM NO.	PART NO.	DESCRIPTION	ERP NO.	QTY	REMARK
65	PMF14.03.17-1	SHAFT SLEEVE	40507028	1	QX
	PMF14.03.17-2	SHAFT SLEEVE	40507029	1	SX
66	HR32008XT NSK	BEARING 32008	21007002	2	
67	GB/T893.1-68	RETAINING RING Φ68	20602010	2	
68	GB858-40	RETAINING RING Φ40	20516001	1	
69	GB812-M40	NUT M40	20412003	1	
70	PMF14.03.10-1	FRONT PULLEY A	40607022	1	QX
	PMF14.03.10-2	FRONT PULLEY B	40607023	1	SX
71	PMF14.03.09	FITTING SLEEVE	40508006	1	
72	5/16"- 24UNF*1"ANSIB18.3	SOCKET SCREW 5/16"	20109008	4	QX
	GB/T70.1-M8X25	SOCKET SCREW M8X25	20306103	1	SX
73	PMF14.03.01	SLIDING SLEEVE	41201036	2	
74	PMF14.03.02	FRONT BRACKET	40802014	1	
75	GB/T5783-M10X25	HEXANGULAR BOLT M10X25	20102152	3	
76	PMF14.03.04	CUTTING ASSY.	40902004	1	
77	PMF14.03.08	BAFFLE	41203024	1	
78	GB/T97.1-5	WASHER 5	20501003	6	
79	GB/T93-5	SPRING WASHER 5	20509002	6	
80	GB/T5783-M5X16	HEXANGULAR BOLT M5X16	21199059	2	
81	GB/T5783-M5X12	HEXANGULAR M5X12	20102001	4	
82	PMF14.03.03	BELT GUARD	40902005	1	
83	PMF14.03.11	RUBBER PAD	41203025	2	
84	GB/T6170-M8	NUT M8	20401004	1	
85	PMF14.03.16	RETAINING BOLT	40401020	1	
86	PMF14.03.15A	CATCH PLATE A	40501015	1	
88	PMF14.03.12	CATCH PLATE B	40501014	1	
89	GB/T6171-M22X2.5	NUT M22X2.5	20403001	1	
90	GB/T5783-M10X60	HEXANGULAR BOLT M10X60	20102160	1	
91	GB/T889.1-M10	LOCK NUT M10	20405006	1	
92	4PK662	BELT 4PK662	21201102	1	
93	GB/T70.3-M5X16	SOCKET SCREW M5X16	20308002	4	
94	PMF14.03.06	BEARING COVER	40503012	1	
95	PMF14.03.07	PAPER WAHER	41302003	1	
96	GB/T894.1-25	RETAINING RING Φ25	20601010	1	
97	6305DDU NSK	BEARING 6305	21001017	2	

PARTS LIST 3
PMF14

ITEM NO.	PART NO.	DESCRIPTION	ERP NO.	QTY	REMARK
98	PMF14. 03. 05	BACK BRACKET	40802015	1	
99	GB/T893. 1-62	RETAINING RING Φ 62	20602009	2	
100	PMF14. 03. 14	BACK PULLEY	40607024	1	
101	GB/T1096-8X55	KEY 8X55	20901158	1	
102	PMF14. 03. 13	BEARING	40403004	1	
103	GB/T93-10	SPRING WASHER 10	20509008	2	
104	GB/T97. 1-10	FLAT WASHER 10	20501009	2	
105	GB/T6170-M10	NUT M10	20401005	1	



MASTERPAC INTERNATIONAL:

Add. Z.A.C du trou grillon
P.O Box 38. 91280 St PIERRE DU PERRY. FRANCE
Tel. +33-6-12-70-02-63
E-mail. intlsales@masterpac.eu

MASTERPAC ASIA:

Add. Weisi Road, Baohe Industrial Estate, P.R.C.
Tel. 86-551-4846601, 4846580
Fax. 86-551-4846616, 4846626
E-mail. sales@masterpac.eu
www.masterpac.eu