

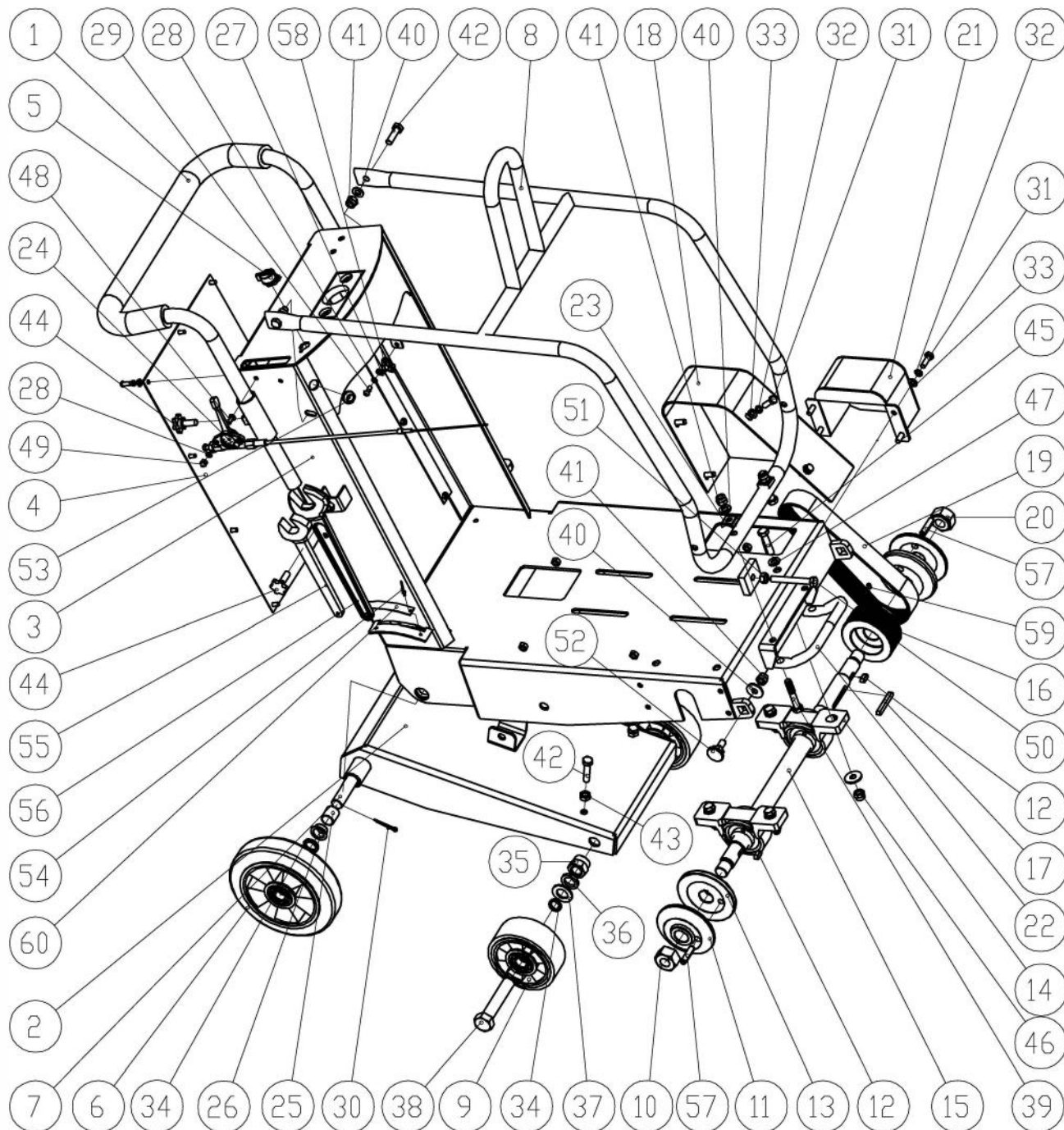


PARTS MANUAL CONCRETE CUTTER

PMF20 SERIES



PMF20-BOM01-B

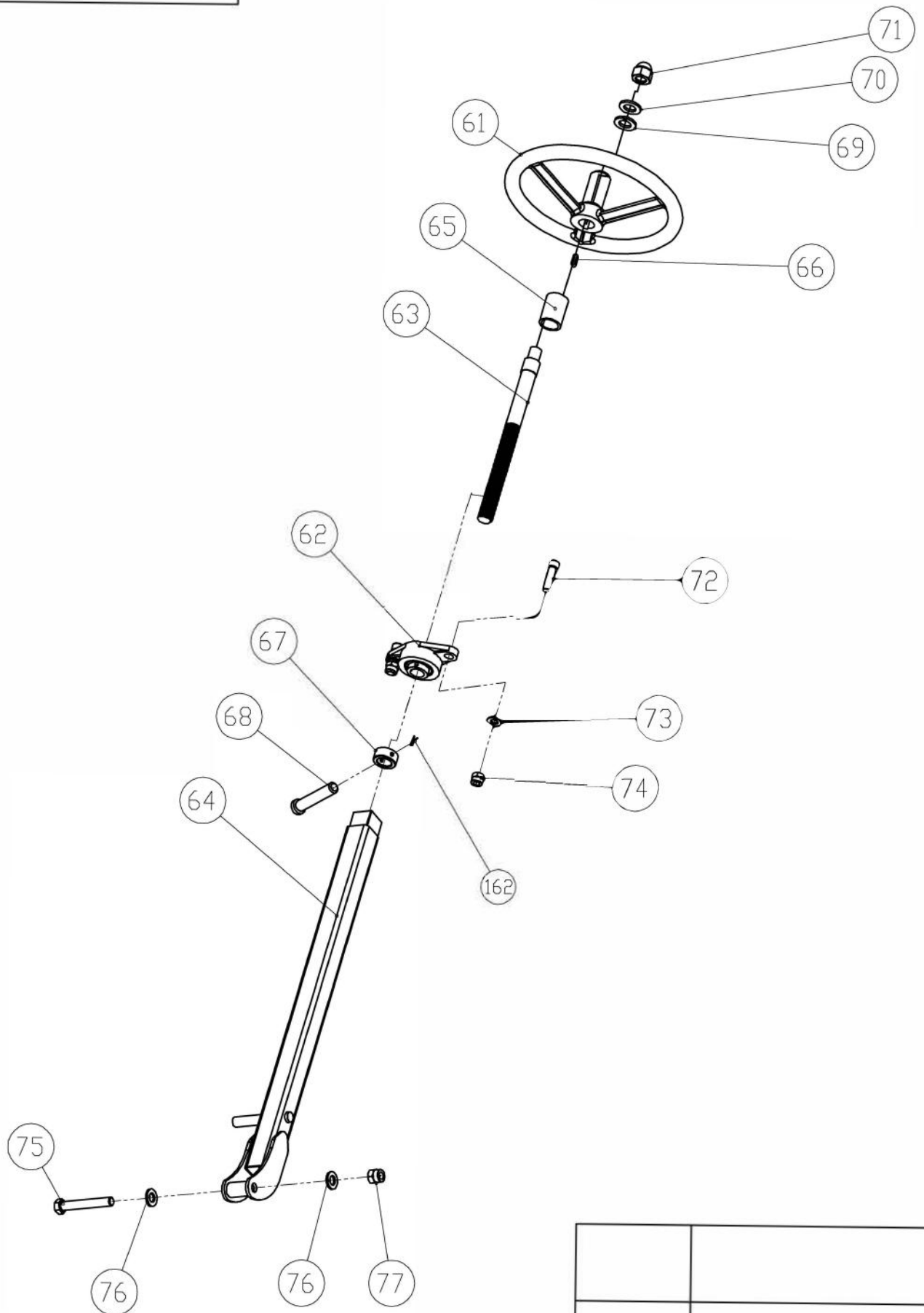


| | |
|--|--|
| | |
| | |

| PMF20-BOM01-C | | | | | |
|---------------|--------------------|---|----------|-----|---------------|
| ITEM NO. | PART NO. | DESCRIPTION | ERP NO. | QTY | REMARK |
| 1 | PMF20.01 | HANDLE FRAME | 40305062 | 1 | |
| 2 | PMF20.03 | CHASSIS FRAME | 40302042 | 1 | PETROLENGINE |
| | PMF20.03P | CHASSIS FRAME ASSY. | 53806014 | 1 | DIESEL ENGINE |
| 3 | PMF20.08 | ENGINE MOUNTING PLATE | 40301038 | 1 | PETROLENGINE |
| | PMF20.08P | ENGINE MOUNTING PLATE | 40301080 | 1 | DIESEL ENGINE |
| 4 | PMF20.00.01 | BACKBOARD | 40203223 | 1 | |
| 5 | PMF20.14 | THROTTLE SWITCH ASSY | 53806009 | 1 | |
| 6 | PA200×50×50 | RUBBER BAG ALUMINUM CASTER WHEEL | 41405006 | 2 | |
| 7 | PMF20.00.04 | REAR AXLE | 40406045 | 1 | |
| 8 | PMF20.00.05 | PROTECTIVE FRAME | 40305068 | 1 | |
| 9 | PA125×50×50 | RUBBER BAG ALUMINUM CASTER WHEEL | 41405005 | 2 | |
| 10 | PMF20.00.07 | LEFT-HANDED NUT | 40707011 | 1 | |
| 11 | PMF20.00.08 | PLATEN 1 | 40503023 | 2 | |
| 12 | GB1096-8×18 | A TYPE KEY 8X18 | 20901153 | 2 | |
| 13 | PMF20.00.09 | PLATEN 2 | 40503024 | 2 | |
| 14 | UCP206D1 | INSERT BALL BEARING UNITS WITH CASTING | 21012008 | 2 | |
| 15 | PMF20.00.11 | CUTTING AXLE | 40403007 | 1 | |
| | PMF20.00.11P | CUTTING AXLE | 40403018 | 1 | |
| 16 | PMF20.00.12 | PULLEY 1 | 40607030 | 1 | |
| 17 | GB1096-8×50 | A TYPE KEY 8X50 | 20901159 | 1 | |
| 18 | PMF20.00.14 | BELT COVER | 40302046 | 1 | |
| | PMF20.00.14P | BELT COVER | 40302071 | 1 | |
| 19 | 10PK685 GATES | BELT | 21201104 | 1 | GATES |
| | 10PK750 MITSUBOSHI | BELT | 21201113 | | SANSUNG |
| 20 | PMF20.00.16 | RIGHT-HANDED NUT | 40707012 | 1 | |
| 21 | PMF20.00.17 | ROTATING COVER | 40302047 | 1 | |
| 22 | MRS80-802006B | DOWN HANDLE | 41003002 | 1 | |
| 23 | PMF20.00.18 | CIRCULAR GASKET | 40208046 | 2 | |
| 24 | PMF20.00.19 | THROTTLE LEVEL | 41403053 | 1 | |
| | PMF20.00.19P | THROTTLE LEVEL | 41403074 | 1 | |
| 25 | PMF20.00.20 | DAMPER | 41201094 | 2 | |
| 26 | PMF20.00.21 | DAMPER 2 | 41201095 | 2 | |
| 27 | GB97.1-6 | WASHER 6 | 20501005 | 11 | |
| 28 | GB93-6 | STANDARD SPRING WASHER 6 | 20509004 | 11 | |
| 29 | GB70.2-M6×16 | HEXAGON SOCKET CAP SCREWS M6×16 | 20307007 | 9 | |
| 30 | GB91-4×32 | COTTER 4X32 | 20805107 | 2 | |
| 31 | GB5783-M8×25 | HEXAGON BOLT M8×25 | 20102102 | 8 | |
| 32 | GB93-8 | STANDARD SPRING WASHER 8 | 20509006 | 8 | |
| | | | | | |

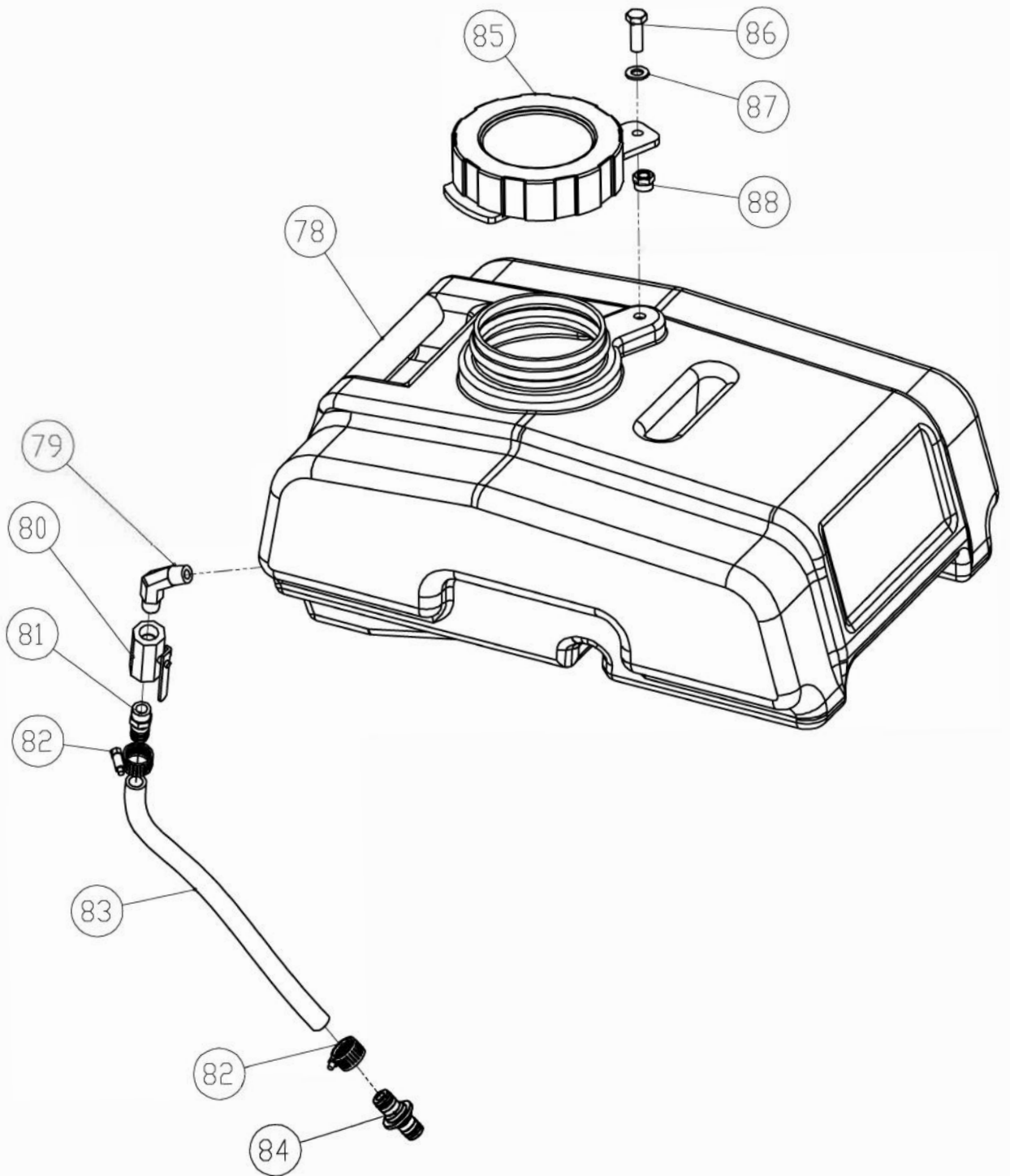
| PMF20-BOM01-C | | | | | |
|---------------|------------------|---|----------|-----|--------|
| ITEM NO. | PART NO. | DESCRIPTION | ERP NO. | QTY | REMARK |
| 33 | GB97.1-8 | WASHER 8 | 20501007 | 8 | |
| 34 | GB886-20 | SHOULDER RING 20 | 20605002 | 4 | |
| 35 | GB889.1-M20 | NUT M20 | 20405019 | 2 | |
| 36 | GB93-20 | STANDARD SPRING WASHER 20 | 20509012 | 2 | |
| 37 | GB97.1-20 | WASHER 20 | 20501014 | 2 | |
| 38 | GB5782-M20×100 | HEXAGON HEAD BOLTS HALF THREAD M20×100 | 20101108 | 2 | |
| 39 | GB5782-M10×60 | HEXAGON HEAD BOLTS HALF THREAD M10 X 60 | 20101051 | 2 | |
| 40 | GB97.1-10 | WASHER 10 | 20501009 | 10 | |
| 41 | GB889.1-M10 | NUT M10 | 20405006 | 9 | |
| 42 | GB5783-M10×35 | HEXAGON BOLT M10×35 | 20102155 | 4 | |
| 43 | GB6170-M10 | HEXAGONAL NUT M10 | 20401005 | 2 | |
| 44 | JB3717.22-M10x25 | ROTARY KNOB | 21305003 | 3 | |
| 45 | GB5783-M12×40 | HEXAGON BOLT M12×40 | 20102203 | 4 | |
| 46 | GB889.1-M12 | NUT 12 | 20405007 | 4 | |
| 47 | GB97.1-12 | WASHER12 | 20501010 | 8 | |
| 48 | GB70.1-M6×30 | HEXAGON SOCKET CAP SCREWS M6×30 | 20306058 | 3 | |
| 49 | GB923-M6 | CAP NUT M6 | 20415006 | 3 | |
| 50 | GB5783-M12×75 | HEXAGON BOLT M12×75 | 20102224 | 1 | |
| 51 | GB6170-M12 | HEXAGON NUT M12 | 20401009 | 1 | |
| 52 | PMF20.00.23 | BOLT | 40402043 | 1 | |
| 53 | MRS62-9917 | BUSHINGS 16 | 41404001 | 1 | |
| 54 | GB12618-3×10 | GB12618-Φ3.2X11 | 20705006 | 2 | |
| 55 | GB4388-S36 | SINGLE WRENCH | 82503210 | 1 | |
| 56 | GB4388-S27 | SINGLE WRENCH | 82503200 | 1 | |
| 57 | GB/T 878 10*35 | GB/T 878 10*35 | 20807005 | 2 | |
| 58 | JTKG-8 | STRIP CLAMP | 41406027 | 1 | |
| 59 | GB77-M6×10 | HEXAGONAL FLAT END SCREW M6 X 10 | 20311006 | 2 | |
| 60 | PMF20.00.25 | CUTTING HEIGHT GAUGE | 40101027 | 1 | |

PMF20-BOM02-B



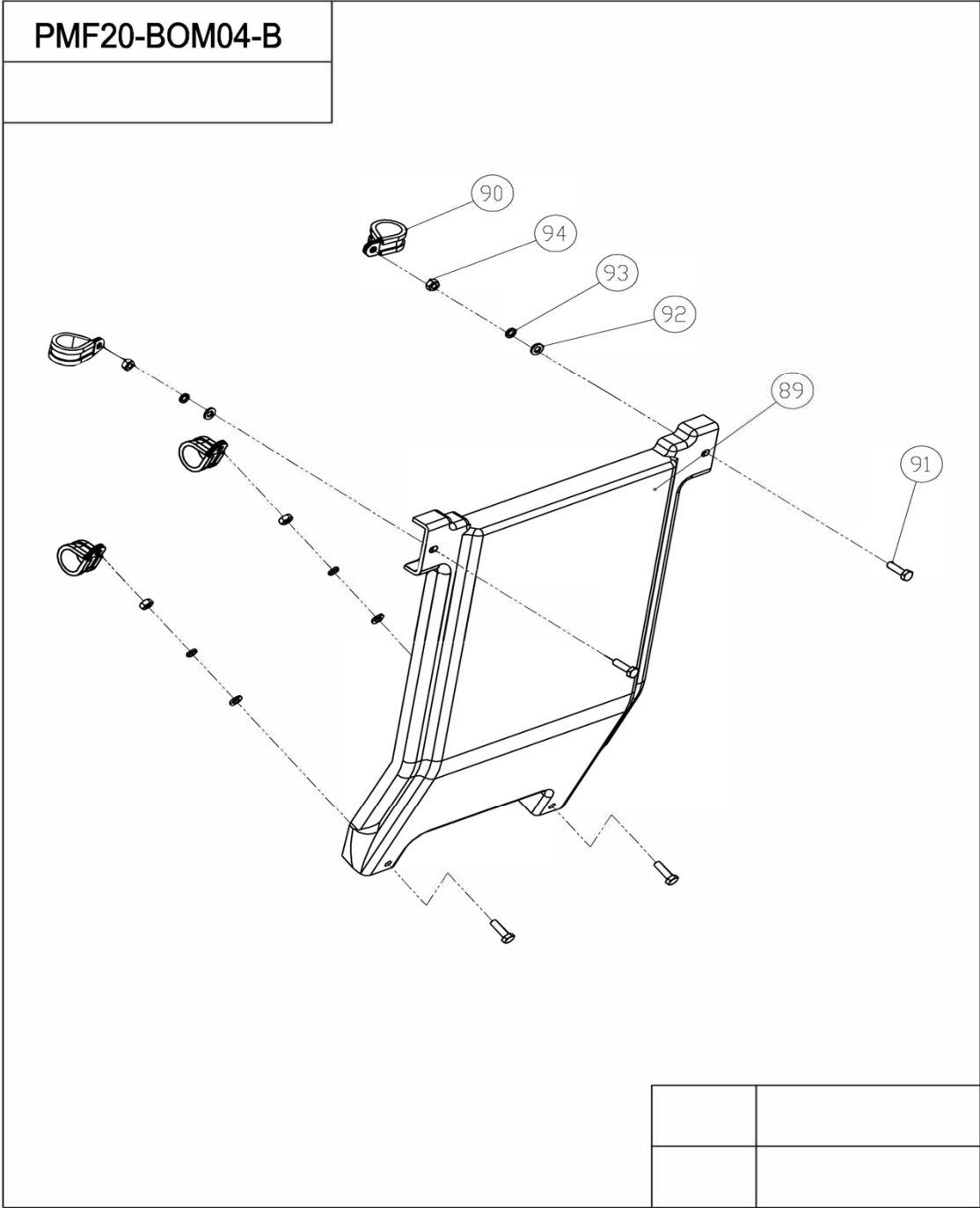
| PMF20-BOM02-B | | | | | |
|---------------|---------------|---|----------|-----|--------|
| ITEM NO. | PART NO. | DESCRIPTION | ERP NO. | QTY | REMARK |
| 61 | PMF20.02.01 | HAND WHEEL | 41405011 | 1 | |
| 62 | UCFL204D1 | INSERT BALL BEARING UNITS WITH CA | 21012009 | 1 | |
| 63 | PMF20.02.03 | SCREW | 40405004 | 1 | |
| 64 | PMF20.02.04 | SPIRAL SUPPORT | 40306012 | 1 | |
| 65 | PMF20.02.05 | BUSH | 40504107 | 1 | |
| 66 | GB1096-6×20 | A TYPE KEY 6X20 | 20901101 | 1 | |
| 67 | GB884-20 | LOCK RING SCREW 20 | 20605003 | 1 | |
| 68 | GB/T882-B6X40 | AXIS PIN | 20807004 | 1 | |
| 69 | GB97.1-16 | WASHER 16 | 20501013 | 1 | |
| 70 | GB93-16 | STANDARD SPRING WASHER 16 | 20509011 | 1 | |
| 71 | GB923-M16 | COVER NUT M16 | 20415007 | 1 | |
| 72 | GB70.1-M10×35 | HEXAGON COUNTERSUNK BOLTS 10 X 35 | 20306156 | 2 | |
| 73 | GB97.1-10 | WASHER10 | 20501009 | 2 | |
| 74 | GB889.1-M10 | NUT M10 | 20405006 | 2 | |
| 75 | GB5782-M12×80 | HEXAGON HEAD BOLTS HALF THREAD M12 X 80 | 20101110 | 1 | |
| 76 | GB97.1-12 | WASHER12 | 20501019 | 2 | |
| 77 | GB889.1-12 | NUT M12 | 20405007 | 1 | |
| 162 | GB/T91-2X20 | PIN | 20805001 | 1 | |

PMF20-BOM03-B



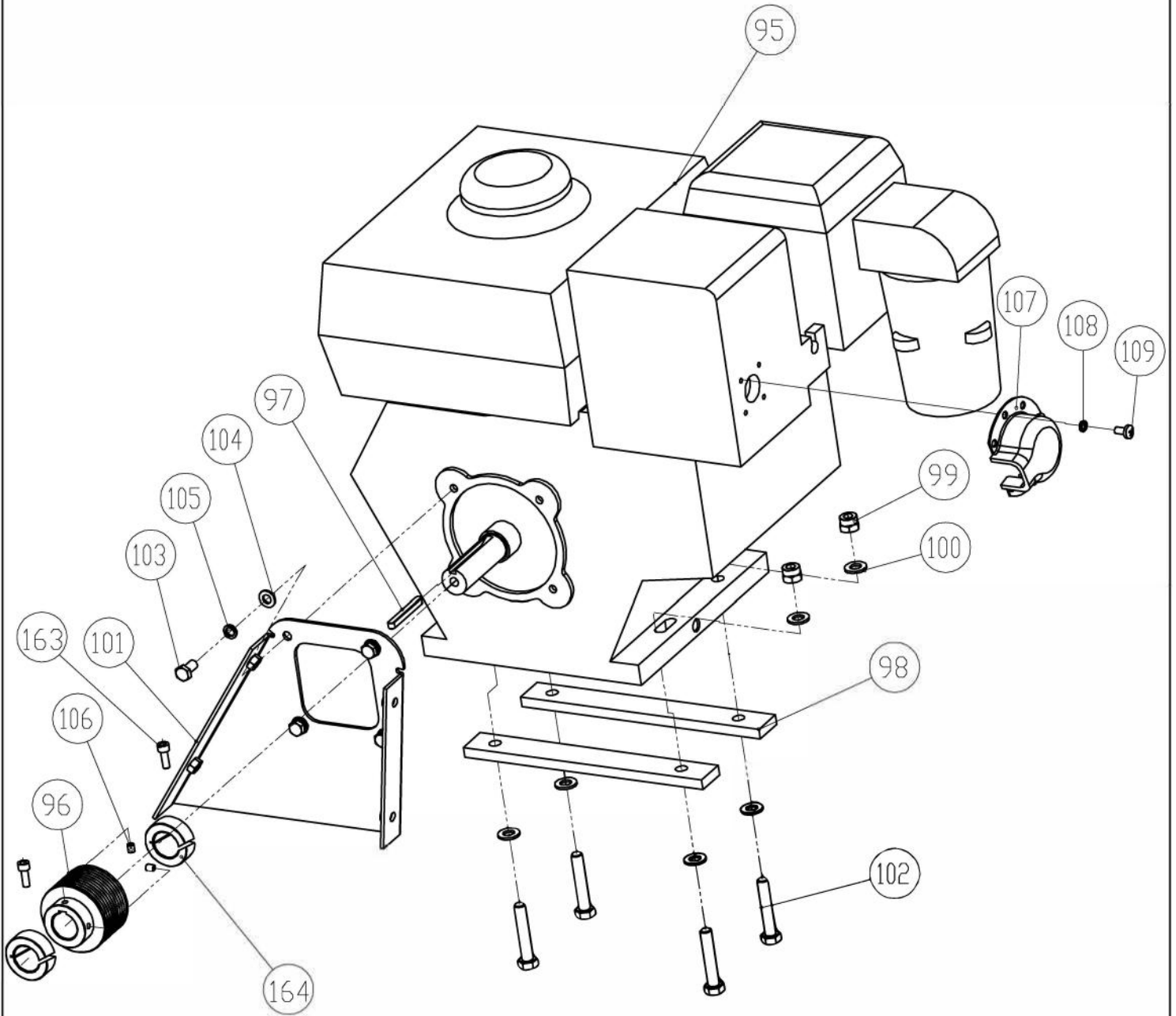
| | |
|--|--|
| | |
| | |

| PMF20-BOM03-B | | | | | |
|---------------|------------------|-------------------------------------|----------|-----|---------------------------------|
| ITEM NO. | PART NO. | DESCRIPTION | ERP NO. | QTY | REMARK |
| 78 | PMF20.04.01 | WATER TANK | 41207007 | 1 | ACCORDING TO CUSTOMER SELECTION |
| | PMF20.04.01BK | WATER TANK (BLACK) | 41207013 | 1 | ACCORDING TO CUSTOMER SELECTION |
| 79 | 1BT9-06SP | 90 DEGREES OUTSIDE THE NIPPLE | 41103010 | 1 | |
| 80 | MYS70-F12-120525 | 3/8 BALL VALVE | 41403014 | 1 | |
| 81 | MYS70-F08-120525 | WATER STRAIGHT SHOOTER JOINT | 41101015 | 1 | |
| 82 | DSHK-12-22 | GERMANY TYPE MIDDLE TYPE HOSE HOOPS | 41406009 | 2 | |
| 83 | PMF20.04.04-W | WATER PIPE | 41002049 | 1 | |
| 84 | 3/8 | PACIFIER FAST CONNECTION | 41105007 | 1 | |
| 85 | MYS70.06.00-02 | WATER TANK COVER | 41205013 | 1 | |
| 86 | GB5783-M10X30 | HEXAGON BOLT M10X30 | 20102154 | 1 | |
| 87 | GB97.1-10 | WASHER10 | 20501009 | 1 | |
| 88 | GB889.1-M10 | NUT M10 | 20405006 | 1 | |



| PMF20-BOM04-B | | | | | |
|---------------|--------------|--------------------------|----------|-----|---------------|
| ITEM NO. | PART NO. | DESCRIPTION | ERP NO. | QTY | REMARK |
| 89 | PMF20.05.01 | PROTECTIVE COVER | 40301035 | 1 | PETROL ENGINE |
| | PMF20.05.01P | PROTECTIVE COVER | 40301078 | 1 | DIESEL ENGINE |
| 90 | JTKG-24 | STRIP CLAMP 24 | 41406030 | 4 | |
| 91 | GB5873-M6×20 | HEXAGON BOLT | 20102054 | 4 | 8.8 |
| 92 | GB97.1-6 | WASHER 6 | 20501005 | 4 | |
| 93 | GB93-6 | STANDARD SPRING WASHER 6 | 20509004 | 4 | |
| 94 | GB6170-M6 | HEXAGONAL NUT M6 | 20401003 | 4 | |

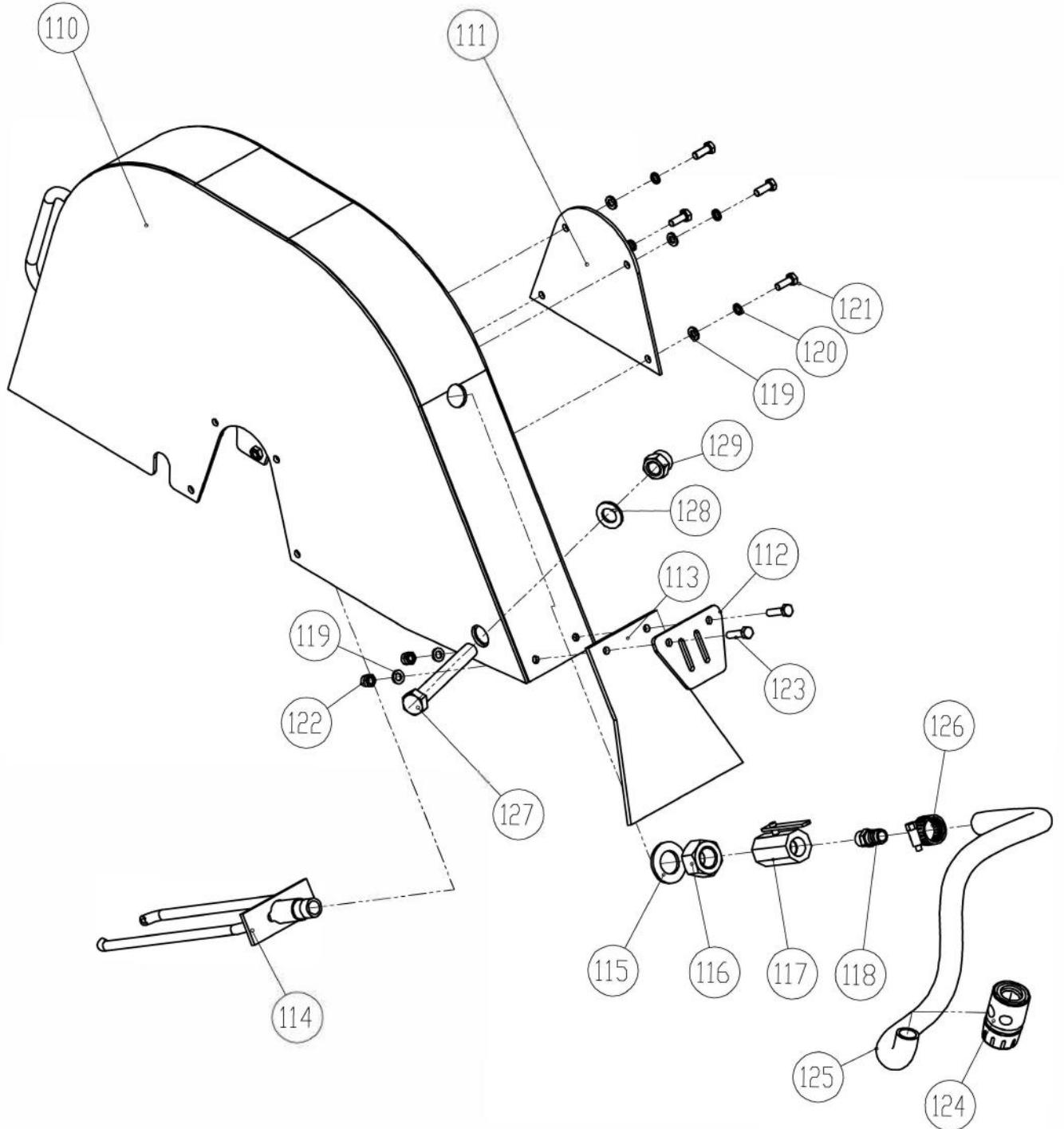
PMF20-BOM05-D



| | |
|--|--|
| | |
| | |

| PMF20-BOM05-D | | | | | |
|---------------|----------------|---------------------------------------|----------|-----|-----------------------------------|
| ITEM NO. | PART NO. | DESCRIPTION | ERP NO. | QTY | REMARK |
| 95 | GX390QXC9 | HONDA ENGINE | 41401074 | 1 | |
| | KM186F | KIPOR DIESEL ENGINE | 41401097 | 1 | |
| 96 | PMF20.06.01YZ | PULLEY 2 (BRITISH STANDARD) | 40607031 | 1 | PETROL ENGINE |
| | PMF20.06.01GZ | PULLEY 2 (METRIC STANDARD) | 40607032 | 1 | PETROL ENGINE |
| | PMF20.06.01P | PULLEY 2 (KIPOR) | 40607049 | 1 | DIESEL ENGINE |
| 97 | PMF20.06.04-W | KEY | | 1 | PETROL ENGINE |
| | PMF20.06.04P-W | KEY | | 1 | DIESEL ENGINE, ENGINE COMES WITH |
| 98 | PMF20.06.02 | PLATE | 40302043 | 2 | PETROL ENGINE |
| | PMF20.06.02P | PLATE | 40201091 | 2 | DIESEL ENGINE |
| 99 | GB889.1-M10 | NUT M10 | 20405006 | 4 | |
| 100 | GB97.1-10 | WASHER 10 | 20501009 | 8 | |
| 101 | PMF20.06.03 | BELT COVER SUPPORT | 40301036 | 1 | PETROL ENGINE |
| | PMF20.06.03P | BELT COVER SUPPORT | 40301079 | 1 | DIESEL ENGINE |
| 102 | GB5782-M10×55 | HEXAGON HEAD BOLTS HALF THREAD M10×55 | 20101057 | 4 | |
| 103 | GB5873-M8x25 | HEXAGON BOLT M8X25 | 20102102 | 4 | PETROL ENGINE, DIESEL ENGINE (SX) |
| | MH6040R.16G-YZ | BOLT 5/16 | 20109005 | 4 | PETROL ENGINE (QX) |
| 104 | GB93-8 | STANDARD SPRING WASHER 8 | 20509006 | 4 | |
| 105 | GB97.1-8 | WASHER 8 | 20501007 | 4 | |
| 106 | GB77-M6×10 | HEXAGONAL FLAT END SCREW M6 | 20311006 | 2 | |
| 107 | PMF20.06.05 | EXHAUST VALVES | 40503036 | 1 | DIESEL ENGINE WITH NO |
| 108 | GB93 | STANDARD SPRING WASHER | 20509001 | 3 | DIESEL ENGINE WITH NO |
| 109 | GB818-M4x12 | CROSS RECESS PAN HEAD SCREW | 20301002 | 3 | DIESEL ENGINE WITH NO |
| 163 | GB70.1-M5x16 | HEX SOCKET CAP SCREW | 20306004 | 2 | |
| 164 | PMF20.06.06GZ | LOCATING SLEEVE | 40507049 | 2 | |
| | PMF20.06.06YZ | LOCATING SLEEVE | 40507050 | 2 | |

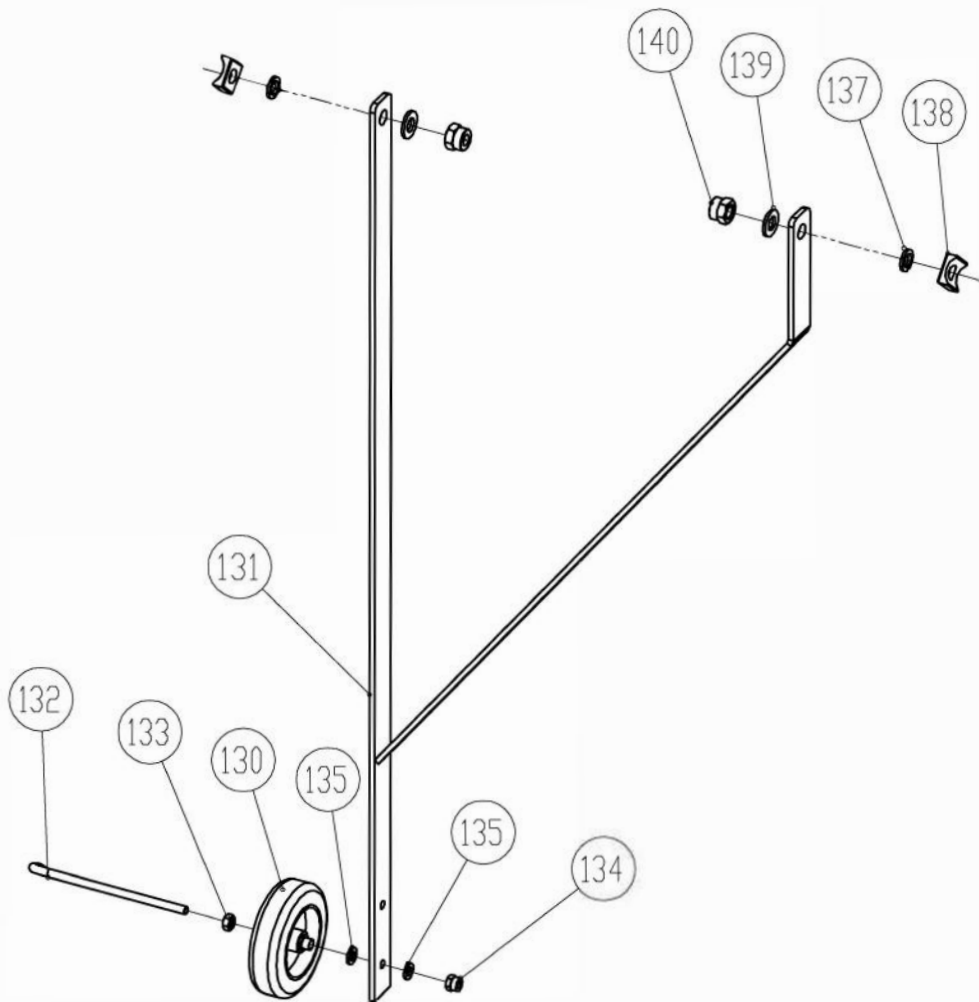
PMF20-BOM06-A



| | |
|--|--|
| | |
| | |

| PMF20-BOM06-A | | | | | |
|---------------|------------------|--|----------|-----|--------|
| ITEM NO. | PART NO. | DESCRIPTION | ERP NO. | QTY | REMARK |
| 110 | PMF20.07.01 | SHIELD WELDING ASSEMBLY | 40301037 | 1 | |
| 111 | PMF20.07.02 | COVER PLATE | 40201035 | 1 | |
| 112 | PMF20.07.03 | PRESSING PLATE | 40201036 | 1 | |
| 113 | PMF20.07.04 | RUBBER SPLASH GUARD | 40203224 | 1 | |
| 114 | PMF20.07.05 | SPRINKLER | 40505033 | 1 | |
| 115 | GB97.1-20 | WASHER20 | 20501014 | 1 | |
| 116 | GB1670-20 | NUT M20 | 20401010 | 1 | |
| 117 | MYS70-F12-120525 | BALL VALVE | 41403014 | 1 | |
| 118 | MYS70-F08-120525 | WATER STRAIGHT SHOOTER JOINT | 41101015 | 1 | |
| 119 | GB97.1-6 | WASHER6 | 20501005 | 6 | |
| 120 | GB93-6 | SPRING WASHER 6 | 20509004 | 4 | |
| 121 | GB5783-M6×16 | BOLT M6×16 | 20102053 | 4 | |
| 122 | GB889.1-M6 | NUT M6 | 20405002 | 2 | |
| 123 | GB5783-M6×25 | BOLT M6×25 | 20102055 | 2 | |
| 124 | 3/8 | PLASTIC QUICK COUPLING | 41101024 | 1 | |
| 125 | PMF20.07.08-W | WATER PIPE | 41002048 | 1 | |
| 126 | DSHK-12-22 | GERMANY TYPE MIDDLE TYPE HOSE HOOPS | 41406009 | 1 | |
| 127 | GB5782-M16x120 | HEXAGON HEAD BOLTS HALF THREAD M16×120 | 20101107 | 1 | |
| 128 | GB97.1-16 | WASHER 16 | 20501013 | 1 | |
| 129 | GB889.1-M16 | NUT M16 | 20405009 | 1 | |

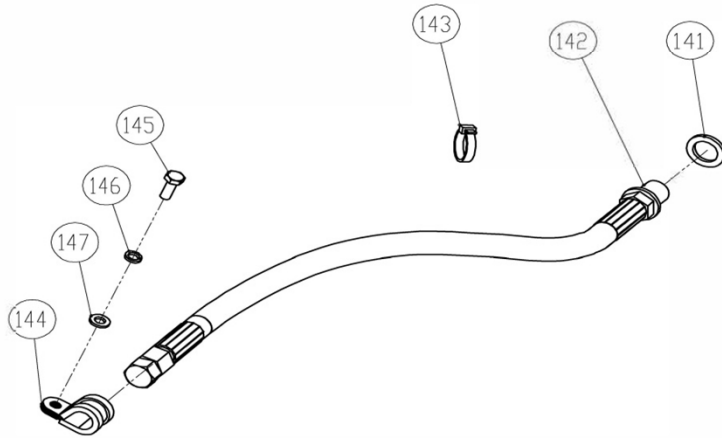
PMF20-BOM07-C



| | |
|--|--|
| | |
| | |

| PMF20-BOM07-C | | | | | |
|----------------|--------------------------|---|----------|--------------|--------|
| ITEM NO. | PART NO. | DESCRIPTION | ERP NO. | QTY | REMARK |
| 130 | GB14687-75x25 | LSHAFT SLEEVE WHEEL | 41405012 | 1 | |
| 131 | PMF20.09.02 | WHEEL FRAME | 40301039 | 1 | |
| 132 | PMF20.09.03 | MARKING PIN | 40401036 | 1 | |
| 133 | GB6170-M6 | HEXAGON NUT M6 | 20401003 | 1 | |
| 134 | GB889.1-M6 | NUT M6 | 20405002 | 1 | |
| 135 | GB97.1-6 | WASHER6 | 20501005 | 2 | |
| 136 | GB5782-M10x55 | HEXAGON HEAD BOLTS HALF THREAD M6x55 | 20101057 | 2 | |
| 137 | GB7246-10 | WAVEFORM SPRING WASHER 10 | 20519006 | 2 | |
| 138 | PMF20.00.18 | CIRCULAR GASKET | 40208046 | 2 | |
| 139 | GB97.1-10 | WASHER 10 | 20501009 | 2 | |
| 140 | GB889.1-M10 | NUT M10 | 20405006 | 2 | |

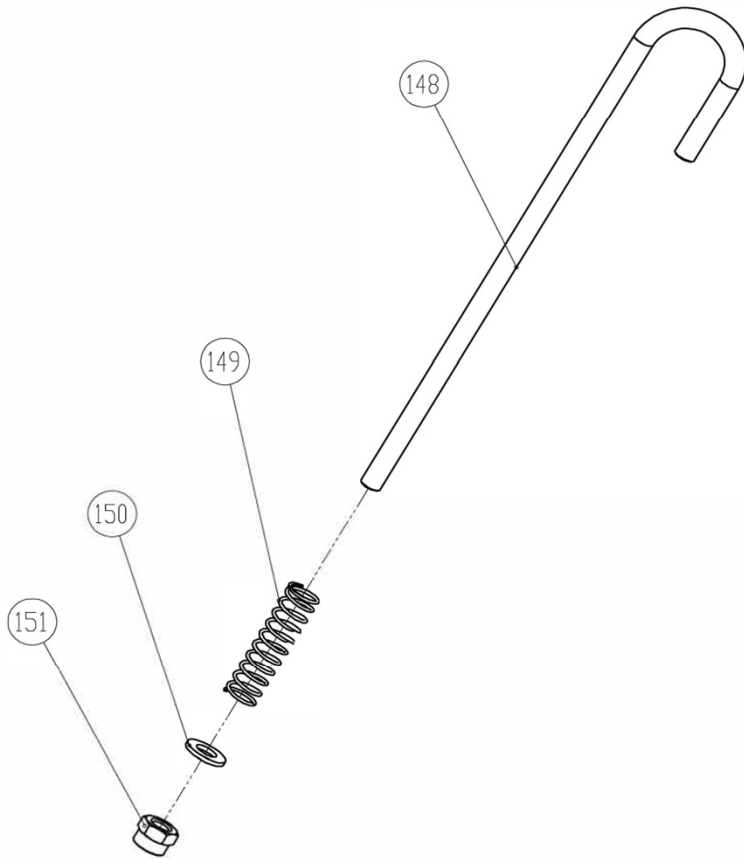
PMF20-BOM08-B



| | |
|--|--|
| | |
| | |

| PMF20-BOM08-B | | | | | |
|---------------|-----------------|-------------------------|----------|-----|-------------------|
| ITEM NO. | PART NO. | DESCRIPTION | ERP NO. | QTY | REMARK |
| 141 | PMF20. 10. 01-W | WASHER12 | | 1 | COMES WITH ENGINE |
| 142 | PMF20. 10. 02 | TUBING COMPONENTS | 41001074 | 1 | |
| | PMF20. 10. 02P | TUBING COMPONENTS | 41001210 | 1 | |
| 143 | 460181-Y | BELTING | 83101008 | 1 | |
| 144 | JTKG-16 | STRIP CLAMP 16 | 41406023 | 1 | |
| 145 | GB5783-M6×16 | HEXAGON BOLT M6×16 | 20102053 | 1 | |
| 146 | GB93-6 | STANDARD SPRING WASHER6 | 20509004 | 1 | |
| 147 | GB97. 1-6 | WASHER 6 | 20501005 | 1 | |

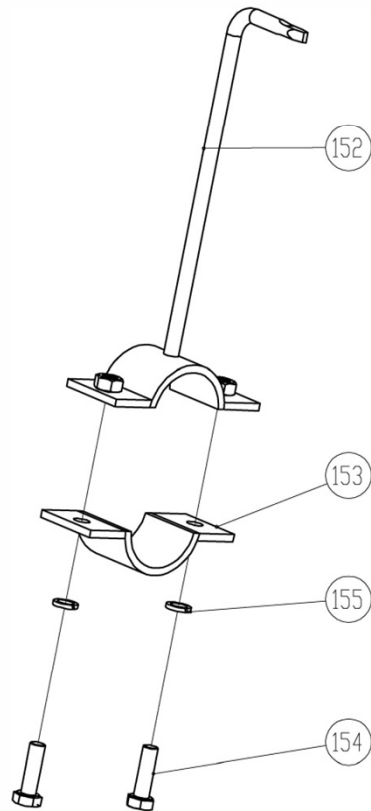
PMF20-BOM09-A



| | |
|--|--|
| | |
| | |

| PMF20-BOM09-A | | | | | |
|---------------|---------------|-------------|----------|-----|--------|
| ITEM NO. | PART NO. | DESCRIPTION | ERP NO. | QTY | REMARK |
| 148 | PMF20. 11. 01 | U ROD | 40401037 | 1 | |
| 149 | PMF20. 11. 02 | SPRING | 40103034 | 1 | |
| 150 | GB97. 1-8 | WASHER 8 | 20501007 | 1 | |
| 151 | GB889. 1-M8 | NUT M8 | 20405004 | 1 | |

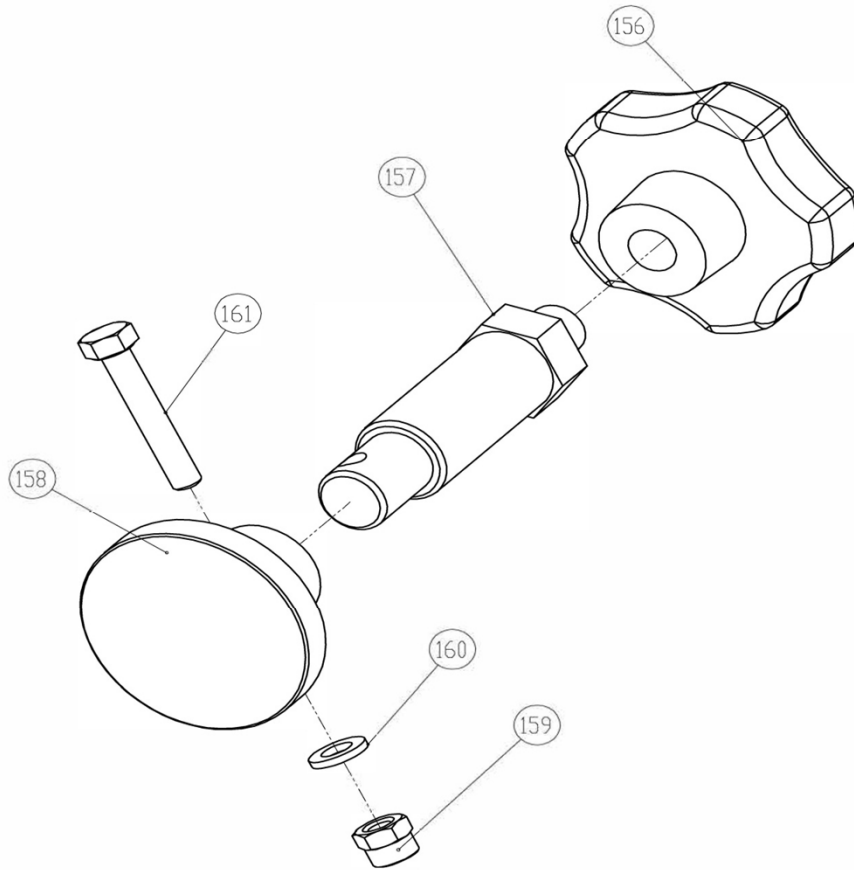
PMF20-BOM10-A



| | |
|--|--|
| | |
| | |

| PMF20-BOM10-A | | | | | |
|---------------|---------------|--------------------|----------|-----|--------|
| ITEM NO. | PART NO. | DESCRIPTION | ERP NO. | QTY | REMARK |
| 152 | PMF20. 12. 01 | POINTER | 40406046 | 1 | |
| 153 | PMF20. 12. 02 | FERRULE | 40304009 | 1 | |
| 154 | GB5783-M6×20 | HEXAGON BOLT M6×20 | 20102054 | 2 | |
| 155 | GB93-6 | WAHSER 6 | 20509004 | 1 | |

PMF20-BOM11-A



| PMF20-BOM11-A | | | | | |
|---------------|--------------|--------------------------------------|----------|-----|--------|
| ITEM NO. | PART NO. | DESCRIPTION | ERP NO. | QTY | REMARK |
| 156 | 493926 | FAN NUT M12 | 20426018 | 1 | |
| 157 | PMF20.13.01 | LOCKING SHAFT PIN | 40402044 | 1 | |
| 158 | PMF20.13.02 | PRESSING PLATE | 40201037 | 1 | |
| 159 | GB889.1-M6 | NUT M6 | 20405002 | 1 | |
| 160 | GB97.1-6 | WASHER 6 | 20501005 | 2 | |
| 161 | GB5782-M6×35 | HEXAGON HEAD BOLTS HALF THREAD M6×35 | 20101005 | 1 | |



MASTERPAC INTERNATIONAL:

Add. Z.A.C du trou grillon
P.O Box 38. 91280 St PIERRE DU PERRYAY. FRANCE
Tel. +33-6-12-70-02-63
E-mail. intlsales@masterpac.eu

MASTERPAC ASIA:

Add. Weisi Road, Baohe Industrial Estate, P.R.C.
Tel. 86-551-4846601, 4846580
Fax. 86-551-4846616, 4846626
E-mail. sales@masterpac.eu
www.masterpac.eu