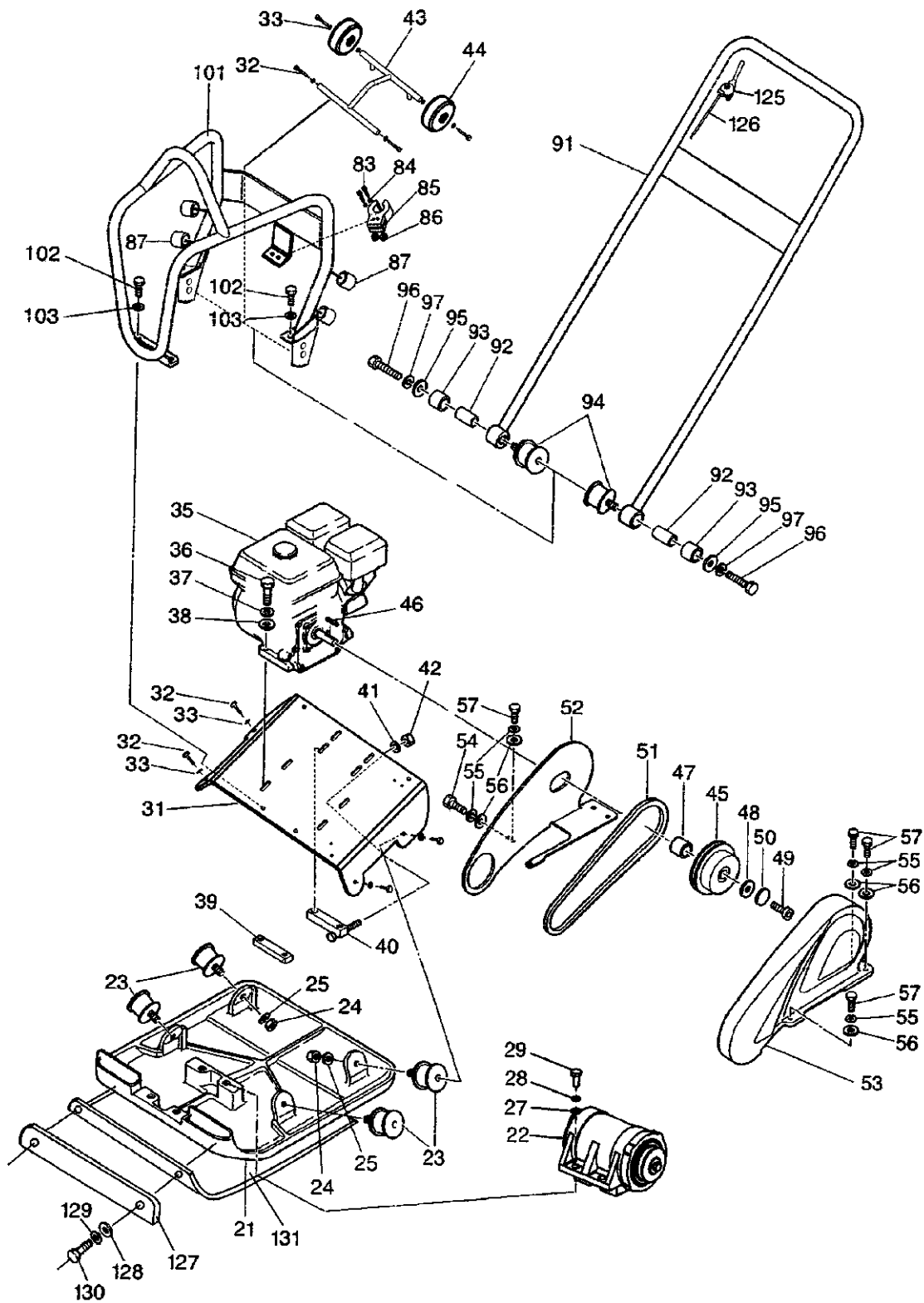




**PARTS MANUAL
PLATE COMPACTOR MS90**



ESPLOSO PIÙ ELENCO RICAMBI COSTIPATORE MS90



MS90 PARTS LIST 1

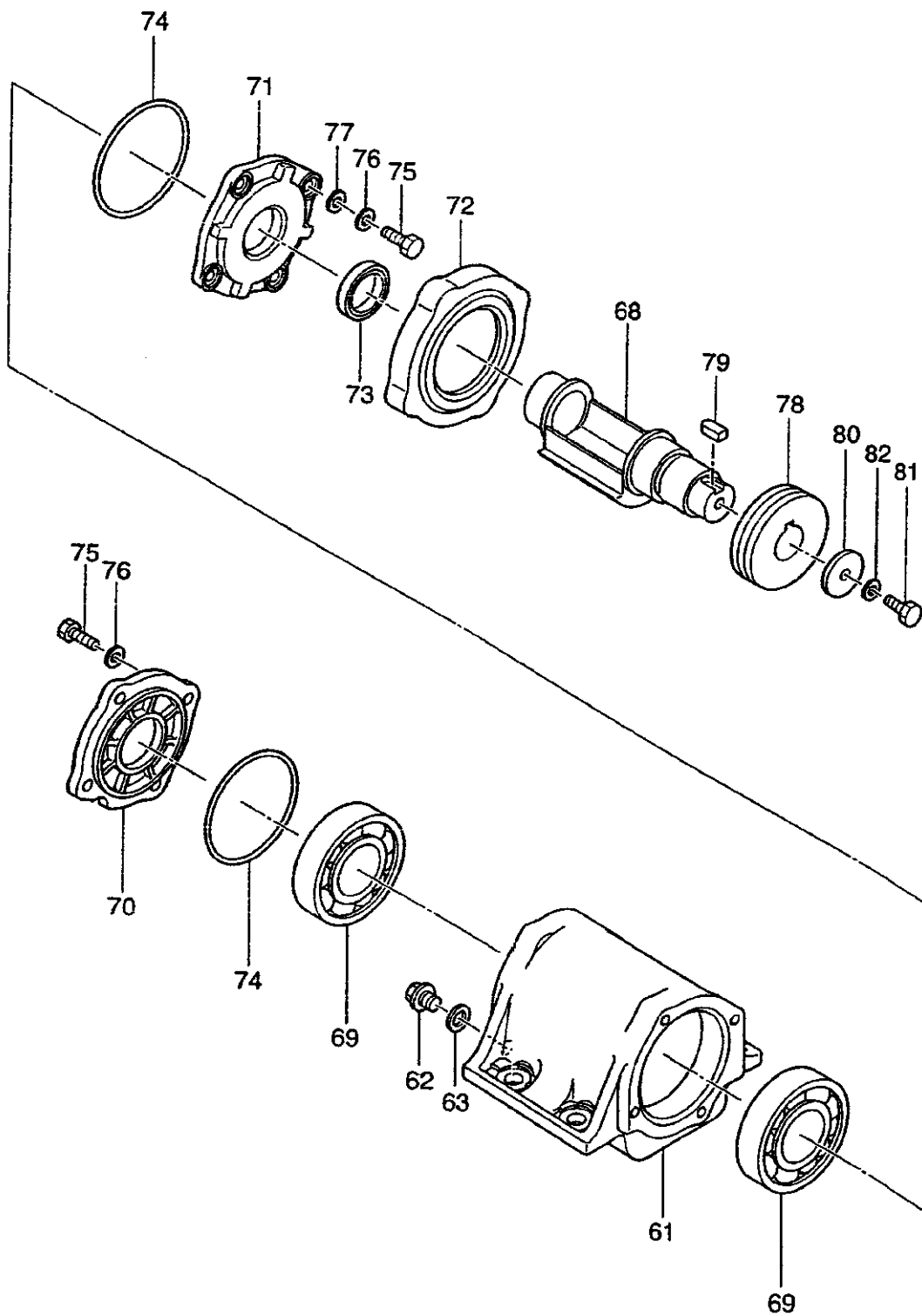
MS90 PARTS LIST 1

ITEM NO.	PART NO.	DESCRIPTION	QTY
21	153001	BASE PLATE	1
22	154000	VIBRATOR ASSY.	1
23	153002	SHOCK ABSORBER	4
24	017010	NUT M10 - GB170	4
25	093010	SPRING WASHER 10 - GB93	4
26	095010	WASHER	4
27	095016	WASHER 16 - GB93	4
28	093016	SPRING WASHER 16 - GB93	4
29	057016	BOLT M16 X 40 - GB5783 - 86	4
31	153003	ENGINE MOUNTING PLATE	1
32	057010-30	BOLT M10 X 30 - GB5783	4
33	093010	SPRING WASHER 10 - GB93	4
35	151000-1	CHINESE DIESEL ENGINE	1
	151000-2	CHINESE PETROL ENGINE	1
	151000-3	ROBIN ENGINE	1
	151000-4	HONDA ENGINE	1
36	057008-50	BOLT M8 X 50 - GB5783	4
37	093008	SPRING WASHER 8 - GB93	4
38	095008	WASHER 8 - GB95	4
39	153007	ENGINE NUT (I)	1
40	153006	ENGINE NUT (II)	1
41	095006	WASHER 8 - GB95	1
42	088006	LOCK NUT M8 - GB889	1
43	155001	WHEEL SHAFT (OPTIONAL)	1
44	155002	WHEEL (OPTIONAL)	2
45	152000	CLUTCH PULLEY ASSY	1
46	010005	KEY C5 X 35	1
47	152005	CLUTCH WASHER	1
48	093008	SPRING WASHER 8 - GB93	1
49	057008-25	BOLT M8 X 25 - GB5783	1
50	093008	SPRING WASHER 8 - GB93	1

(TO BE CONTINUED)

MS90 PARTS LIST 1

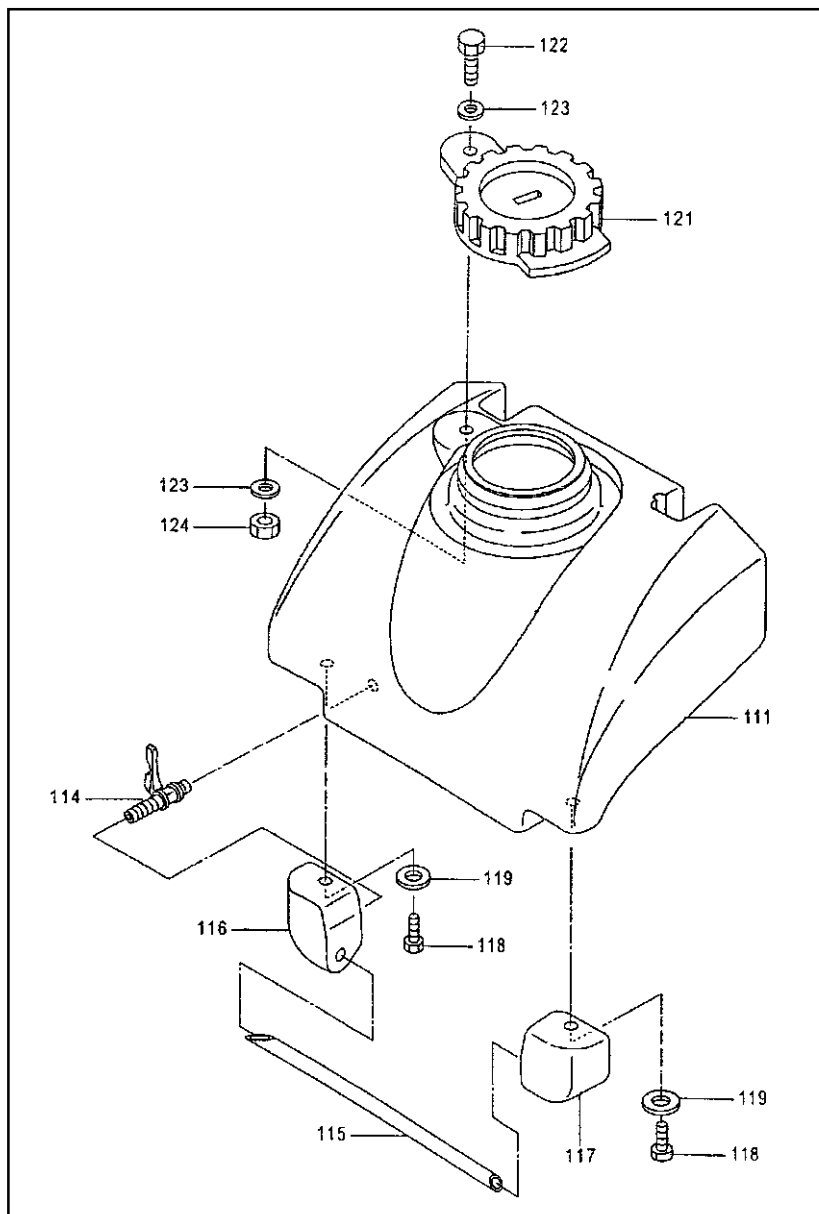
ITEM NO.	PART NO.	DESCRIPTION	QTY
51	011544-1	V-BELT FOR DIESEL ENGINE	1
	011544-2	V-BELT FOR PETROL ENGINE	1
52	153004	INSIDE BELT COVER	1
53	153005-1	BELT COVER FOR DIESEL ENGINE	1
	153005-2	BELT COVER FOR PETROL ENGINE	1
54	057008-20	BOLT M8 X 20 - GB5783	1
55	093008	SPRING WASHER 8 - GB93	5
56	095008	WASHER 8 - GB95	5
57	057008-25	BOLT M8 X 25 - GB5783	4
83	057006	BOLT M6 X 30 (OPTIONAL)	2
84	095006	WASHER 6 (OPTIONAL)	2
85	105001	RUBBER CLIP (OPTIONAL)	1
86	061006	NUT M6 (OPTIONAL)	2
87	155003	RUBBER COLLAR	4
91	156004	HANDLE	1
92	156003	COLLAR	2
93	156002	RUBBER	2
94	156005	RUBBER MOUNT	2
95	096012	WASHER 12 - GB96	2
96	057012	BOLT M12 X 65 - GB5780	2
97	093012	SPRING WASHER 12 - GB93	2
101	155000	GUARD HOOK	1
102	057010-25	BOLT M10 X 25 - GB5783	4
103	093010	SPRING WASHER 10 - GB93	4
125	A2004001	THROTTLE CONTROL LEVER (OPTIONAL)	1
126	156006-1	THROTTLE CONTROL WIRE (OPTIONAL)	1
127	2001002-2	FIX STRIP (OPTIONAL)	1
128	0097017	WASHER 10-GB97 (OPTIONAL)	2
129	0093010	SPRING WASHER 10-GB93 (OPTIONAL)	2
130	0057810	BOLT M10X45-GB5783 (OPTIONAL)	2
131	2001001-2	RUBBER MAT (OPTIONAL)	1



MS90 PARTS LIST 2

MS90 PARTS LIST 2

ITEM NO.	PART NO.	DESCRIPTION	QTY
61	154009	VIBRATING CASE	1
62	154002	PLUG SCREW	1
63	154001	PACKING PIECE	1
68	154007	ECCENTRIC ROTATOR	1
69	027011	BEARING 6211 - GB276	2
70	154008	CASE COVER (R)	1
71	154006	CASE COVER (L)	1
72	154005	PROTECTIVE COVER	1
73	098035	OIL SEAL 35 X 8 - GB9877	1
74	034100	O-RING 100 - GB3452.1	2
75	057008-25	BOLT M8 X 25 - GB5783	8
76	093008	SPRING WASHER 8 - GB93	8
77	095008	WASHER 8 - GB95	8
78	154004	PULLEY	1
79	010008	KEY C8 - GB1096	1
80	154003	PULLEY WASHER	1
81	057010-25	BOLT M10 X 25-GB5783	1
82	093010	SPRING WASHER10-GB93	1



MS90 PARTS LIST 3

ITEM NO.	PART NO.	DESCRIPTION	QTY
111	157001	WATER TANK	1
114	157007	COCK	1
115	157004	SPRINKLING PIPE	1
116	157003	PIPE HOLDER (L)	1
117	157005	PIPE HOLDER (R)	1
118	057008-30	BOLT M8 X 30 - GB5783	2
119	095008	WASHER8-GB95	5
121	157002	CAP WATER TANK	1
122	057010-30	BOLT M10 X 30 - GB5783	1
123	095010	WASHER10 - GB95	2
124	017010	NYLON NUT M10 - GB170	1
132	157000	WATER TANK ASSY.	1