



# PARTS MANUAL

**FORWARD**

**PLATE COMPACTOR**

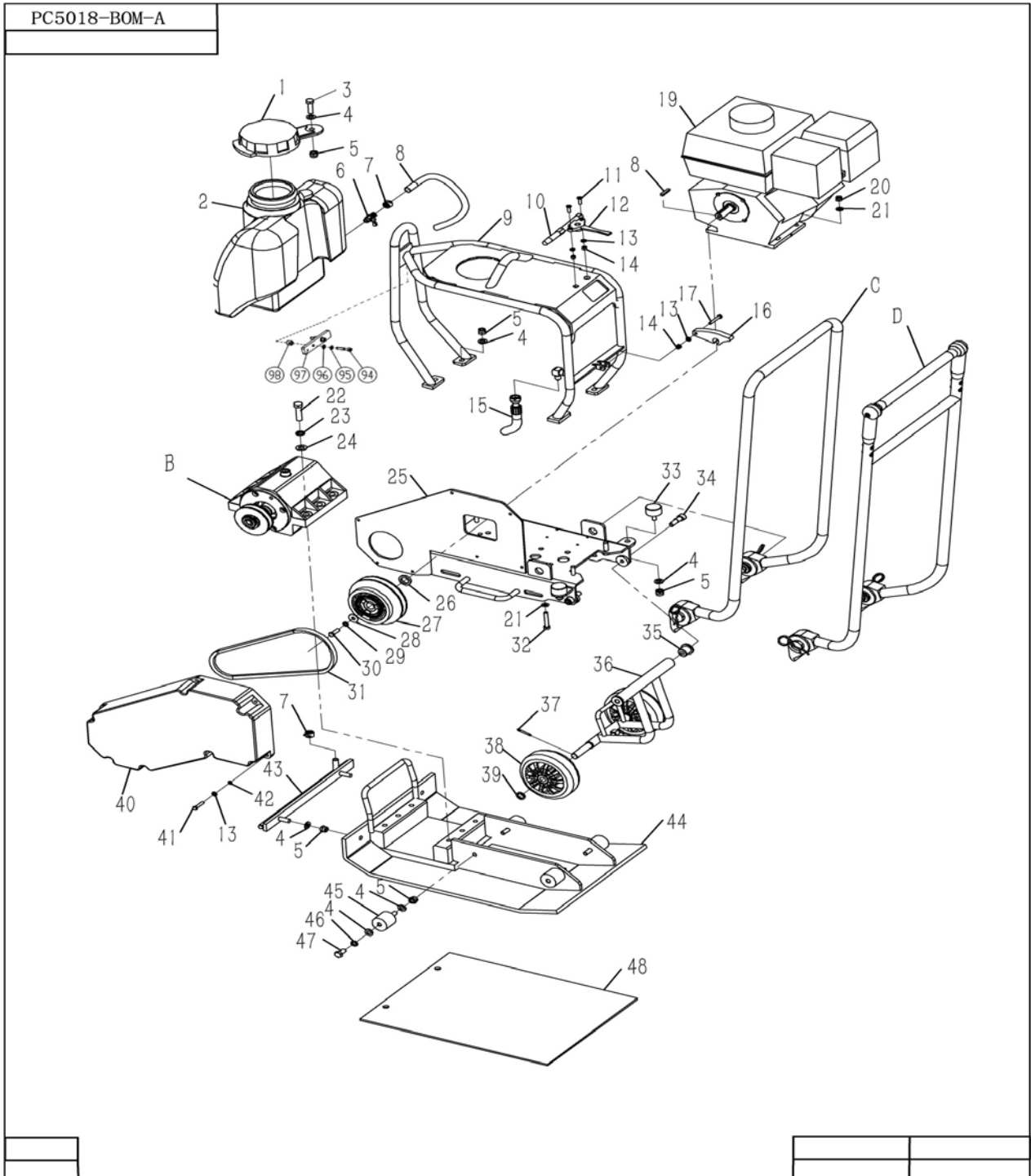
PC5018 SERIES



# EPLOSO PIÙ ELENCO RICAMBI COSTIPATORE PCV 5018

## PARTS LIST A PC5018 SERIES

### GENERAL ASSEMBLY



**PARTS LIST A  
PC5018 SERIES**

**GENERAL ASSEMBLY**

**PC5018-BOM-A**

ITEM NO.	PART NO.	DESCRIPTION	ERP NO	QTY	REMARK
1	MYS70.06.00-02	WATER TANK CAP	41205013	1	
2	MH4012-F02-20131020	WATER TANK	41207006	1	
3	GB5783-M10*30	HEX HEAD BOLT	20102154	1	
4	GB97.1-10	FLAT WASHER	20501009	15	
5	GB889.1-M10	LOCK NUT M10	20405006	11	
6	191402	COCK, WATER TANK	41403010	1	G1/4
7	DSHK-10-16	CLAMP	41406008	1	Φ10-16
8	φ 15x3x320	SPRINKLING PIPE	41002051	1	
9	MH5018.00.04LC	PROTECTIVE FRAME	41003045	1	LD225
	MH5018.00.04C	PROTECTIVE FRAME	41003039	1	PETROL ENGINE
11	GB70.3-M6x20	SCREW M6X20	20308052	2	
12	MH4012.00.19G-E	THROTTLE SWITCH ASSY	41403009	1	PETROL ENGINE
	MH4012.00.19L-F	THROTTLE SWITCH ASSY	41403011	1	LD225
13	GB97.1-6	FLAT WASHER	20501005	2	
14	GB889.1-M6	LOCK NUT M6	20405002	2	
16	MH3008.00.17C	CLAMP	41205010	1	
17	GB5783-M6*40	HEX HEAD BOLT	20102060	1	
18	/	KEY	99	1	ENGINE PACK
19	GX160-SX4	PETROL ENGINE	/	1	GX160, S
	GX160-QX4	PETROL ENGINE	/	1	GX160, Q
	LD225	DIESEL ENGINE	/	1	LD225
20	GB889.1-M10	LOCK NUT M10	20405006	8	USED FOR FIXING LD225
	GB889.1-M8	LOCK NUT M8	20405004	8	USED FOR FIXING PETROL ENGINE
21	GB97.1-10	FLAT WASHER 10	20501009	8	USED FOR FIXING LD225
	GB97.1-8	FLAT WASHER 8	20501007	8	USED FOR FIXING PETROL ENGINE
22	GB70.1-M16x55	HEX HEAD SCREW	20306257	6	
23	DIN25021-16	WASHER	20519001	6	
25	MH5018.00.03D	ENGINE MOUNTED PLATE	40802009	1	
26	MH4012.00.24C-GZ	SHAFT SLEEVE	40507005	1	SX
	MH4012.00.24C-YZ	SHAFT SLEEVE	40507006	1	QX
	MH4012.00.24C-L	SHAFT SLEEVE	40507007	1	LD225 (QX)
27	MH4012.00.20GZ	CLUTCH	51701006	1	SX
	MH4012.00.20YZ	CLUTCH	51703001	1	QX
28	MH4012.00.23	WASHER	40504062	1	
29	GB93-8	SPRING WASHER	20509006	1	
30	MH4012.00.22	BOLT	20109002	1	WITH IMPERIAL AXIS
	GB5783-M8x30	BOLT	20102114	1	WITH METRIC AXIS
31	xPA882 GATES	BELT	21201011	1	
	xPA975 GATES	BELT	21201012	1	
32	GB5783-M10x45	HEX HEAD BOLT M10X45	20102167	4	USED FOR FIXING LD225
	GB5783-M8x45	HEX HEAD BOLT M8X45	20102108	4	USED FOR FIXING PETROL ENGINE
33	MH4012.00.16C	RUBBER BLOCK	41201017	4	
34	MH4012.00.14	BOLT STOPPER	40401002	2	
35	MH4012.00.06-02	NYLON SLEEVE	41201051	2	
36	MH5018.00.06-01C	WHEEL SHAFT	41003043	1	
37	GB91-4*25	PIN	20805100	2	
38	MH4012.00.06-03	WHEEL	41405001	2	
39	MH4012.00.06-04	NYLON WASHER	41201052	4	
40	MH4012.00.08-MH	BELT COVER	40301001	1	
41	GB70.1-M6x20	SCREW M6X25	20306053	7	

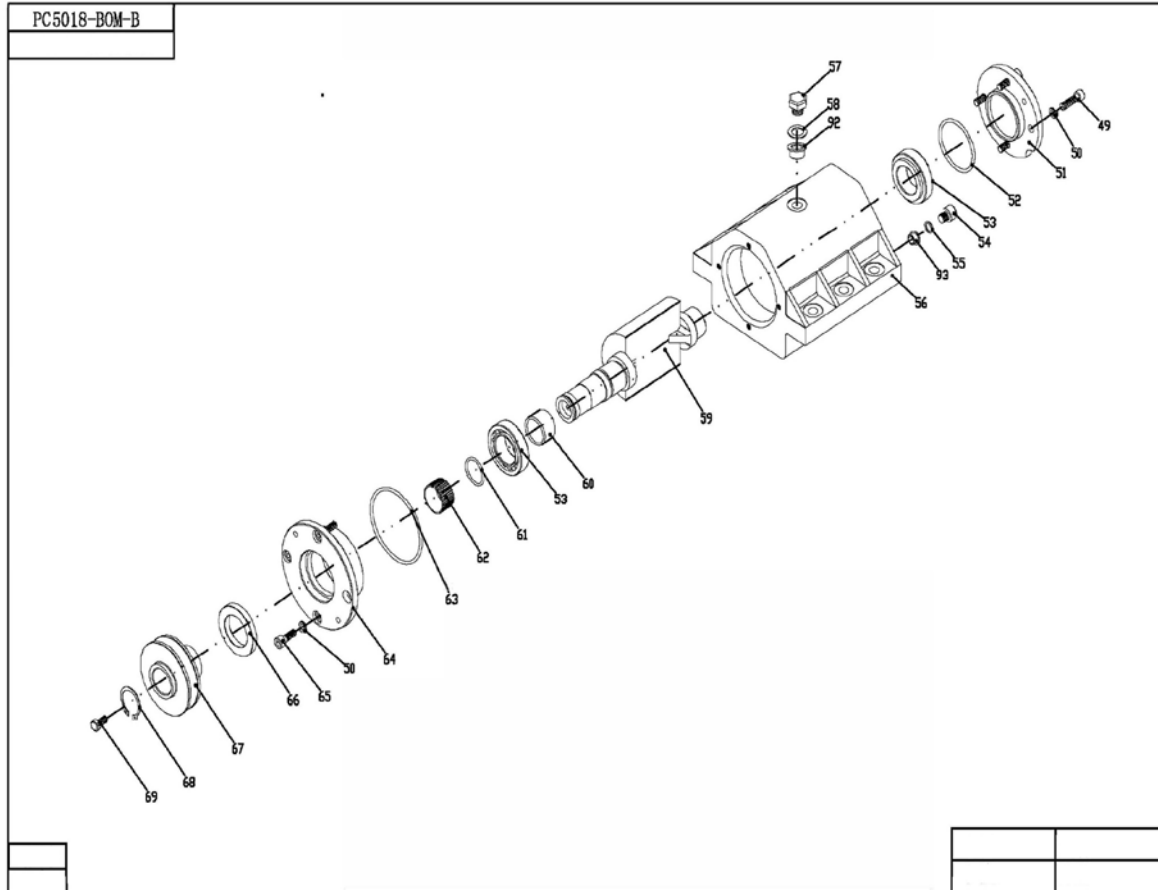
**PARTS LIST A**  
**PC5018 SERIES**

**GENERAL ASSEMBLY**

42	GB93-6	SPRING WASHER	20509004	7	
43	MH5018.00.22-02E	FIX PLATE	40203032	1	
	MH5018.00.07F	PIPE HOLDER	51901004	1	
44	MH5018.00.01C	BASE PLATE	40803022	1	CASTING
45	MH4012.00.09C	SHOCK ABSORBER	41201003	4	
46	GB93-10	SPRING WASHER 10	20509008	4	
47	GB70.1-M10x20	SOCKET HEAD SCREW M10X20	20306150	4	
48	MH5018.00.22-01C	RUBBER MAT	41203007	1	

**PARTS LIST B**  
**PC5018 SERIES**

**VIBRATION BOX**

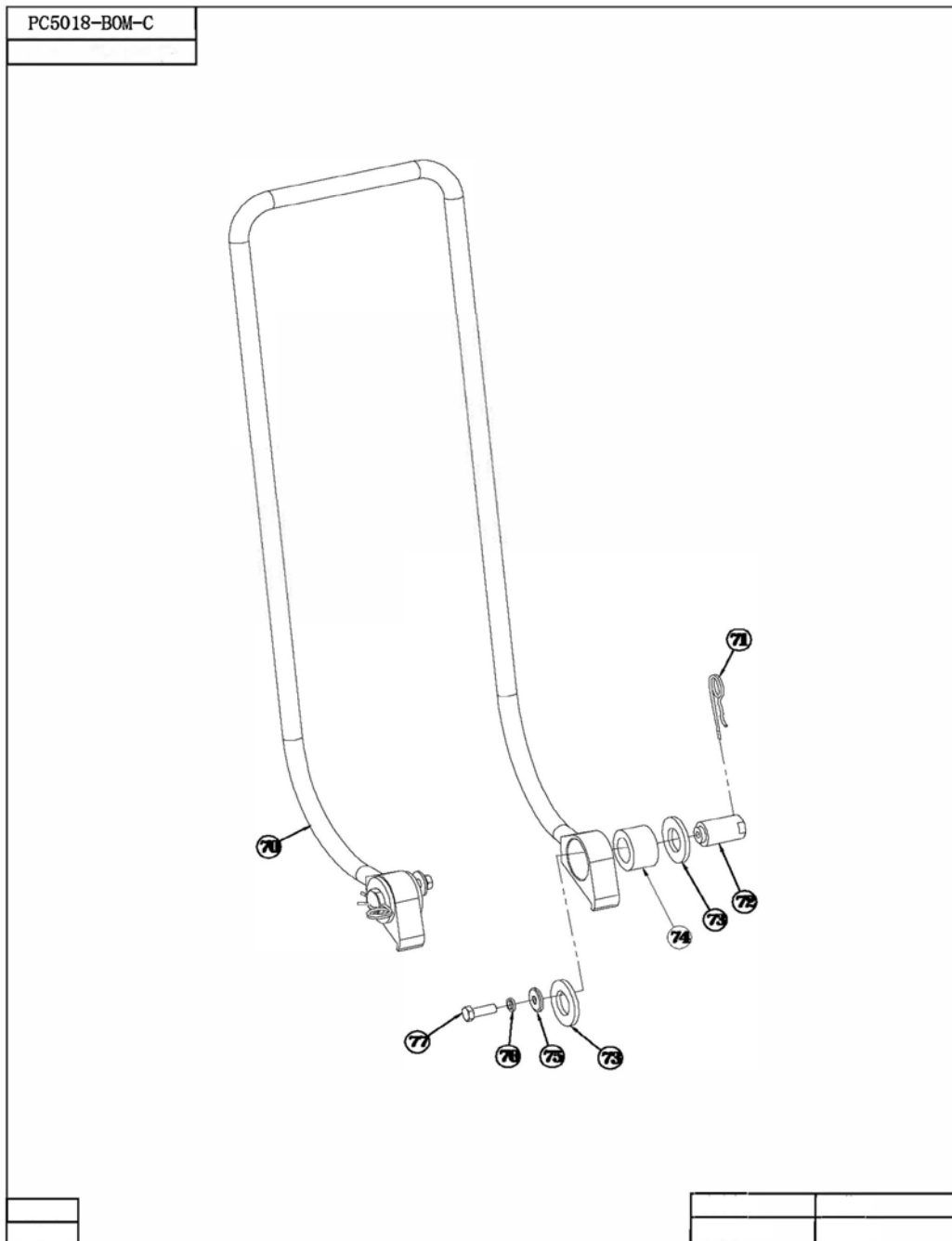


PC5018-BOM-B

ITEM NO.	PART NO.	DESCRIPTION	ERP NO	QTY	REMARK
49	GB70. 1-M8x20	SOCKET HEAD SCREW M8X20	20306102	4	
50	GB93-8	SPRING WASHER	20509006	8	
51	MH4012. 00. 02-01C	VIBRATION BOX COVER	40903013	1	
52	GB3452. 1-71x3. 55	O RING	21101452	1	
53	NJ207ETC3 NSK	BEARING	21004002	2	
54	JB4444-M10x1	HEX HEAD PLUG	21102001	1	
55	JB1002-10	SEAL GASKET	21105002	1	
56	MH5018. 00. 02-01C	VIBRATION BOX	40901008	1	
57	MRS80. GZ01	HEX HEAD PLUG	40401001	1	
58	JB1002-14	SEAL GASKET	21105004	1	
59	MH5018. 00. 02-02D	ROTARY SHAFT	40404005	1	
60	FIR-354020	INNER BEARING	40507003	1	
61	GB3452. 1-30x2. 65	O RING	21101354	1	
62	BN32x23	GASKET	21108002	1	
63	GB3452. 1-90x3. 55	O RING	21101453	1	
64	MH4012. 00. 02-05C	VIBRATION BOX COVER	40903014	1	
65	GB70. 1-M8x30	SOCKET HEAD SCREW M8X30	20306104	4	
66	GB13871-FB40x62x8	GASKET	21106007	1	
67	MH4012. 00. 02-06	PULLEY	40607001	1	
68	GB894. 1-32	RETAINING RING	20601013	1	
69	MH4012. 00. 02-04	SCREW M8X16	40401004	1	

# PARTS LIST C PC5018 SERIES

## STANDARD HANDLE

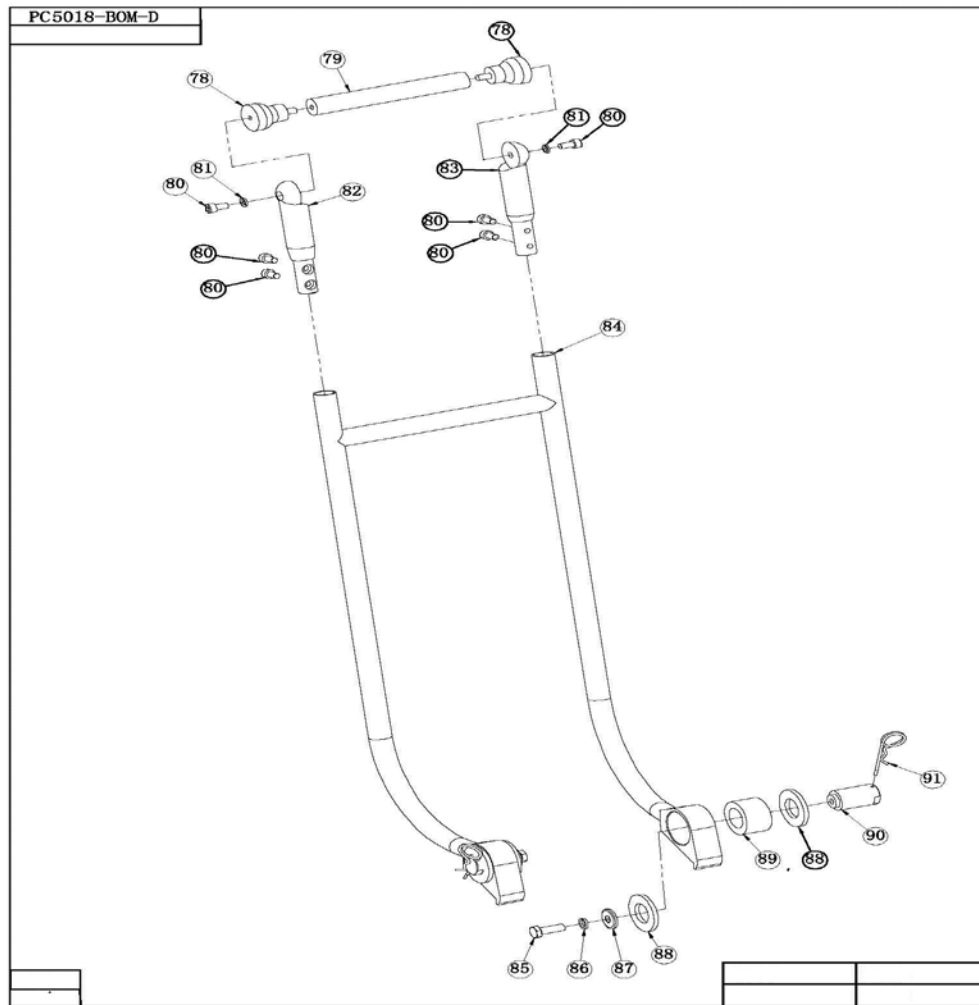


### PC5018-BOM-C

ITEM NO.	PART NO.	DESCRIPTION	ERP NO	QTY	REMARK
70	MH5018.00.05D1	HANDLE JOINT	51901002	1	
71	MH3008.00.23	SPRING CLIP	40103010	2	
72	MH3008.00.12E	SHAFT	40402005	2	
73	MH3008.00.05-02C	NYLON WASHER	41201049	4	
74	MH3008.00.05-04C	NYLON SLEEVE	41201050	2	
75	MH3008.00.13C	FLAT WASHER	40504010	2	
76	GB93-10	SPRING WASHER 10	20509008	2	
77	GB5783-M10X20	HEX HEAD SCREW M10X20	20102150	2	

# PARTS LIST D PC5018 SERIES

## DAMPING ARMREST



### PC5018-BOM-D

ITEM NO.	PART NO.	DESCRIPTION	ERP NO	QTY	REMARK
78	MH3008.00.05-05A	SHOCK ABSORBER	41205012	2	
79	MH5018.00.05-02C2	HANDLE	40406013	1	
80	GB70.1-M8*16	SOCKET HEAD SCREW M8X16	20306101	6	
81	GB93-8	SPRING WASHER 8	20509006	2	
82	MH3008.00.05-06E2	HANDLE UPPER, LEFT	40406004	1	
83	MH3008.00.05-08E2	HANDLE UPPER, RIGHT	40406005	1	
84	MH5018.00.05D2	ANTI-VIB. HANDLE	51902001	1	
85	GB5783-M10*30	HEX HEAD BOLT M10X30	20102154	2	
86	GB93-10	SPRING WASHER 10	20509008	2	
87	MH3008.00.13C	FLAT WASHER	40504010	2	
88	MH3008.00.05-02C	NYLON WASHER	41201049	4	
89	MH3008.00.05-04C	NYLON SLEEVE	41201050	2	
90	MH3008.00.12E	SHAFT	40402005	2	
91	MH3008.00.23	SPRING CLIP	40103010	2	
94	GB5783-M8x45	HEX HEAD BOLT M8X45	20102108	2	
95	GB93-8	SPRING WASHER 8	20509006	2	
96	GB97.1-8	FLAT WASHER	20501007	2	
97	MH4012.00.36	WATER TANK PLATE	40204094	1	
98	MH4012.00.37	CLAMP WASHER	40504180	2	



**MASTERPAC USA**

1260 Old Franklin Turnpike  
Suite B, Rocky Mount, Virginia 24151, USA  
Tel: +1-540-483-2606  
E-mail: [usa@masterpac.eu](mailto:usa@masterpac.eu)

**MASTERPAC ASIA:**

Add. Weisi Road, Baohe Industrial Estate, P.R.C.  
Tel. 86-551-64846601, 64846580  
Fax. 86-551-64846616, 64846626  
E-mail. [sales@masterpac.eu](mailto:sales@masterpac.eu)  
**[www.masterpac.eu](http://www.masterpac.eu)**