



PARTS MANUAL

TAMPING RAMMER

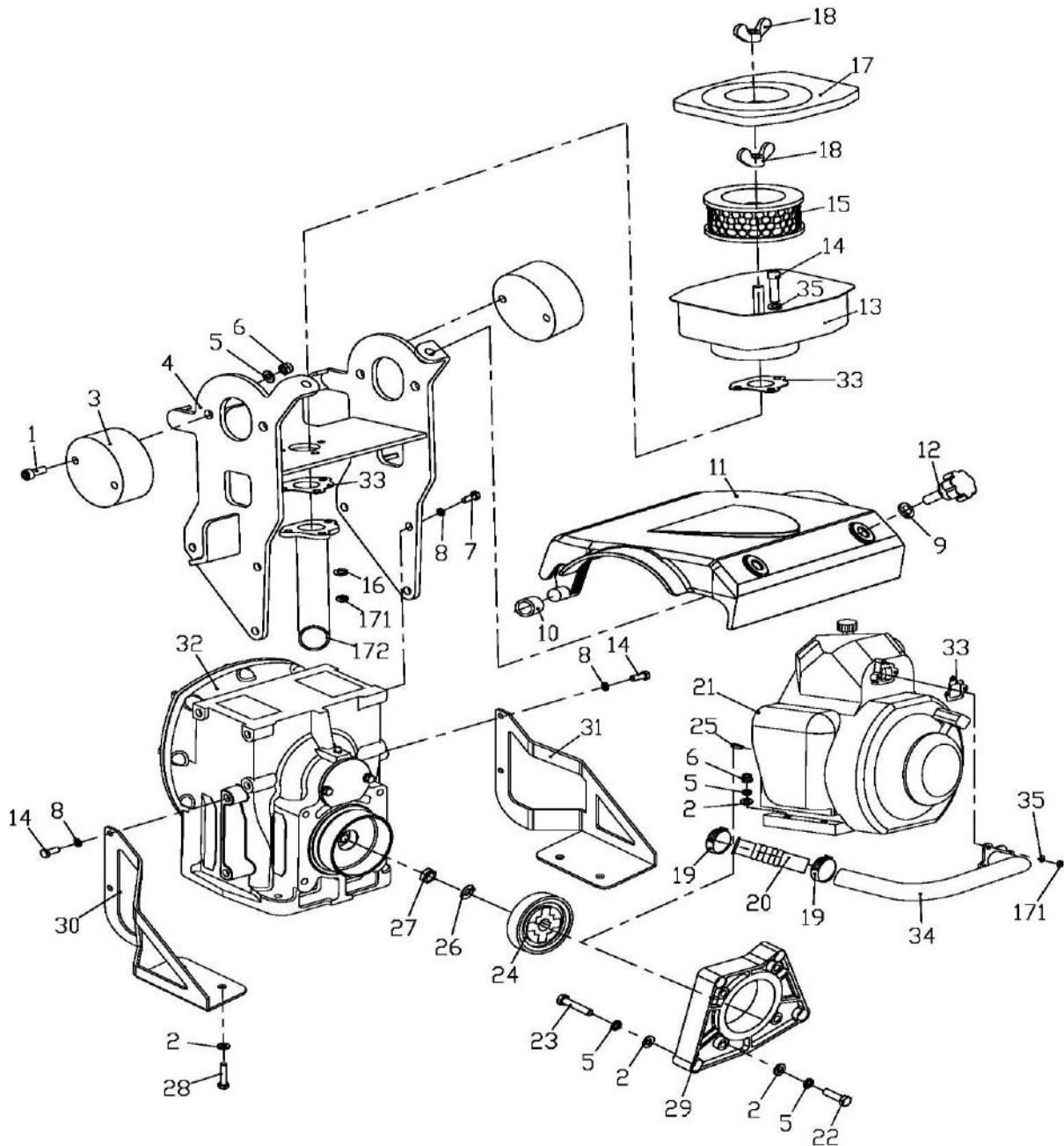
PMR85D



PARTS LIST 1
PMR85D SERIES

GEARBOX CASING AND POWER ASSEMBLY

PMR85D-BOM01-D



PMR85D-BOM01-D

PARTS LIST 1
PMR85D SERIES

GEARBOX CASING AND POWER ASSEMBLY

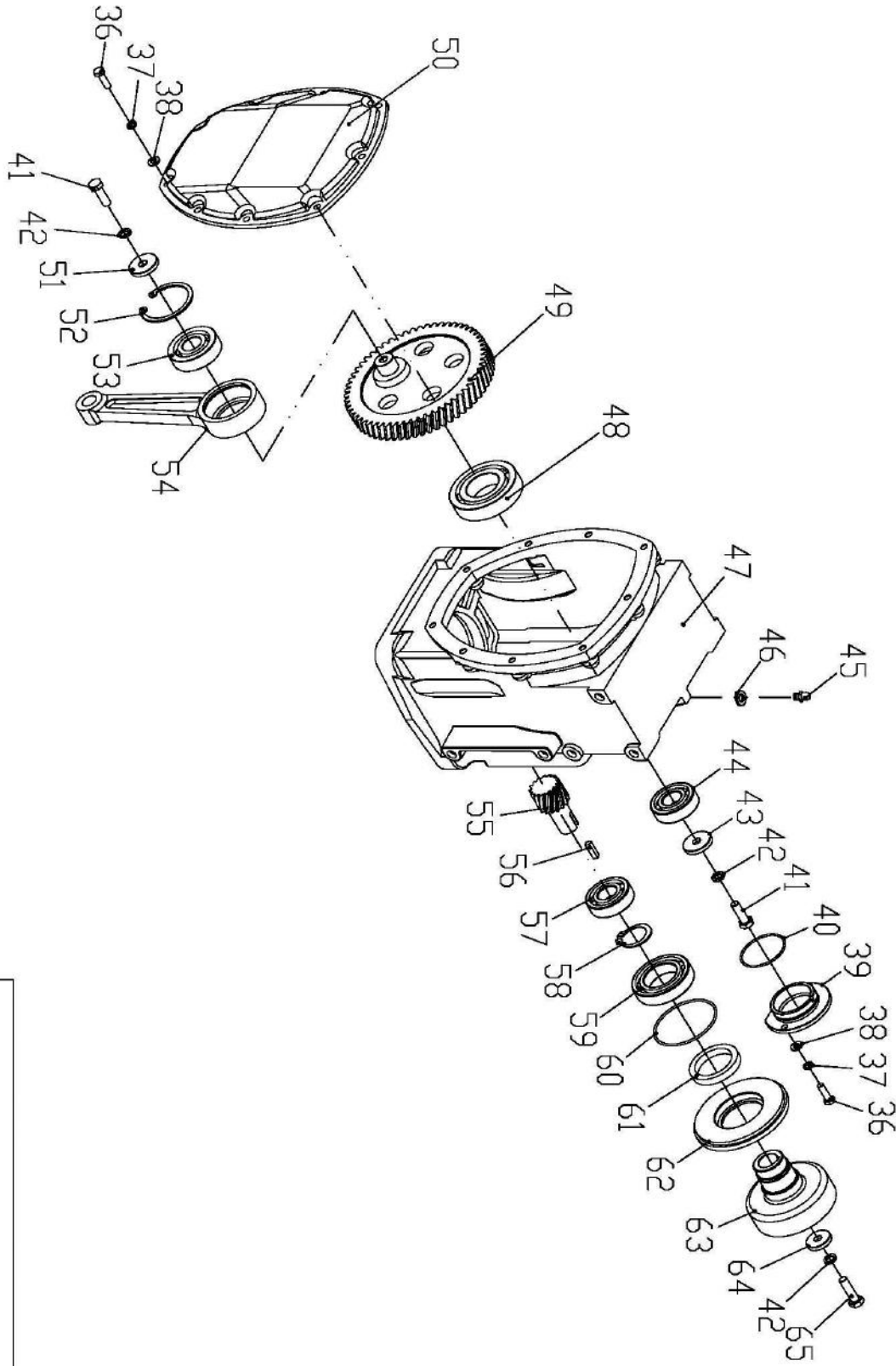
PMR85D-BOM01-D

ITEM NO	PART NO.	DESCRIPTION	ERP NO.	QTY	REMARK
1	GB70.1-M10x20	HEXAGON SOCKET CAP SCREW M10x20	20306150	4	
2	GB97.1-10	FLAT WASHER 10	20501009	20	
3	MRS80-806000	SHOCK ABSORBER ASSY	41201001	2	
4	MR85-805004G	PLATE ASSY	50603006	1	
5	GB93-10	SPRING WASHER 10	20509008	16	
6	GB889.1-M10	LOCKNUT M10	20405006	8	
7	GB5783-M8X30	BOLT M8X30	20102105	6	
8	GB93-8	SPRING WASHER 8	20509006	15	
9	GB97.1-8	FLAT WASHER 8	20501007	7	
10	MRS80-805001GC-09	NYLONG SLEEVE	41201064	2	
11	PMR75R-5001B	FRONT COVER	41205007	1	
12	JB3717.22-M8x25	M8 HAND WHEEL	21305007	2	
13	KM170FD-01-01W	AIR FILTER SHELL	49904017	1	
14	GB70.1-M6X25	BOLT M6X25	20306055	8	
15	KM170FD-01-02W	AIR FILTER CORE	49904018	1	
16	GB93-6	WASHER 6	20509004	1	
17	KM170FD-01-03W	AIR FILTER COVER	49904019	1	
18	GB62-M6x1	BUTTERFLY NUT M8X1.25, A TYPE	20422002	2	
19	DSHK-20-32	CLAMP 20-32 (WIDTH 9)	41406012	2	
20	MR85D-5007	AIR INLET PIPE	40207317	1	
21	L48N6-SYSHYI	DIESEL ENGINE	41401036	1	
22	GB5783-M10X50	BOLT M10X50	20102158	4	
23	GB/T70.1-M10X50	HEXAGON SOCKET CAP SCREW M10x50	20306165	4	
24	MR85D-809000B-JK	CLUTCH ASSY	50603004	1	IMPORT
25	GB1096-4X16	FLAT KEY 4X16 (A TYPE)	20901002	1	
26	MRS80-809006	LOCK WASHER	40504008	1	
27	GB6173-M12X1.25	HEXAGON THIN NUT	20407002	1	
28	GB5783-M10X45	BOLT M10X45	20102157	4	
29	MR85D-2000	FLANGE	40501005	1	
30	MR85D-5103B	LEFT PROTECTIVE FRAME	40207035	1	
31	MR85D-5104B	RIGHT PROTECTIVE FRAME	40207037	1	
32	PMR85D-804000	GEAR BOX ASSY	50605002	1	
	PMR85D-804000-Z	GEAR BOX ASSY	50606001	1	NEUTRAL
33	MR85D-5008	AIR INLET PIPE SEAL WASHER	40504076	3	
34	MR85D-5006A	AIR INLET PIPE ASSY	40305152	1	
35	GB97.1-6	FLAT WASHER 6	20501005	3	
171	GB889.1-M6	LOCKNUT M6	20405002	6	
172	MR85D-5009	INTAKE PIPE ASSY. 2	40305153	1	

PARTS LIST 1-01-D
PMR85D SERIES

GEARBOX CASING

PMR85D-BOM01-01-D



PMR85D-BOM01-01-D

PARTS LIST 1-01-D
PMR85D SERIES

GEARBOX CASING

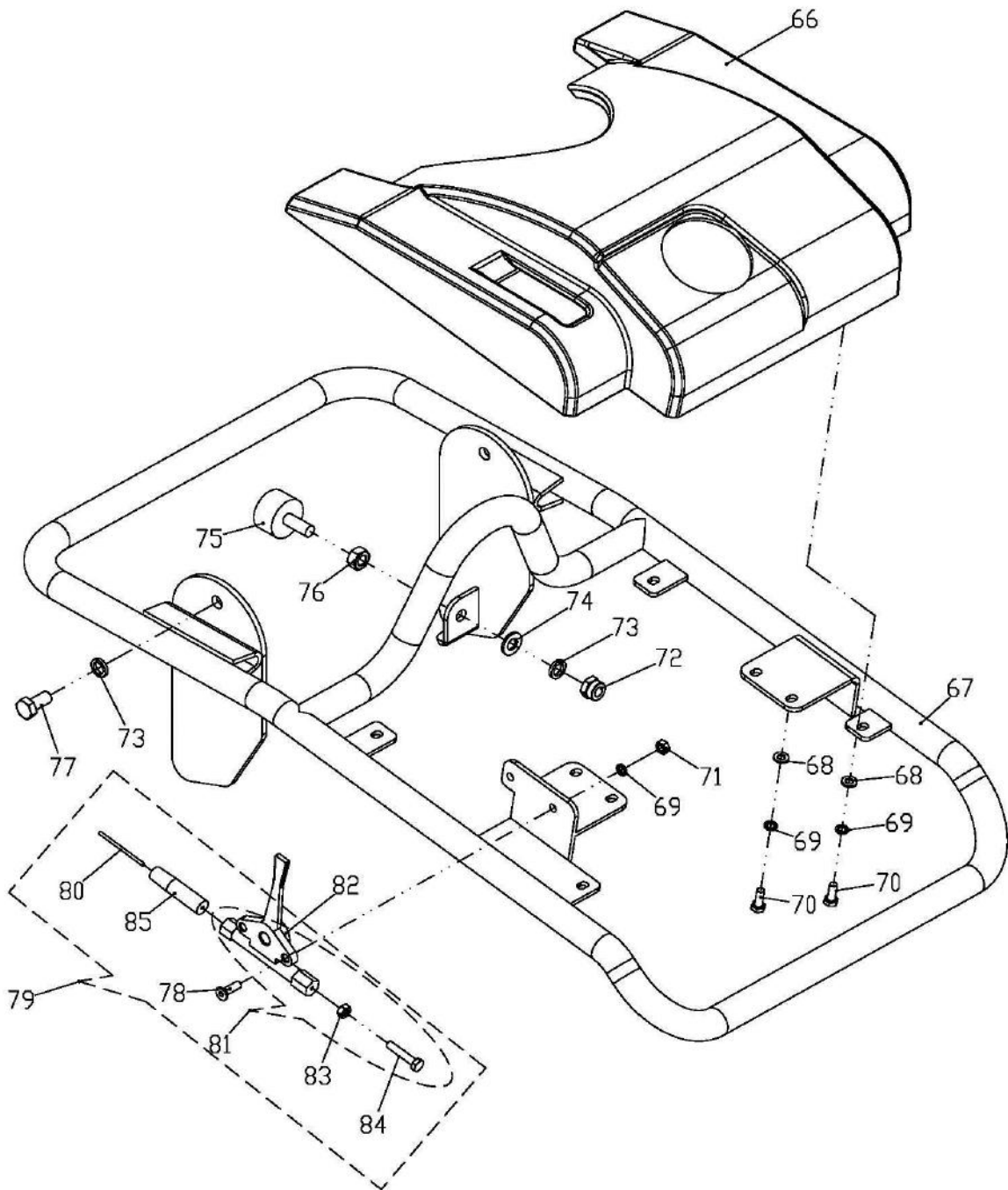
PMR85D-BOM01-01-D

ITEM NO.	PART NO.	DESCRIPTION	ERP NO.	QTY	REMARK
36	GB5783-M6X20	BOLT M6X20	20102054	9	
37	GB93-6	SPRING WASHER 6	20509004	9	
38	GB97.1-6	FLAT WASHER 6	20501005	9	
39	MRS80-804004A	4HP GEAR BOX BEARING COVER	40502002	1	
40	GB3452.1-43.7X1.8	O-RING 43.7X1.8	21101004	1	
41	GB5783-M8X25	BOLT M8X25	20102102	2	
42	GB93-8	SPRING WASHER 8	20509006	3	
43	MRS80-804102	CRANK GEAR SHAFT END WASHER	40504002	1	
44	GB276-6204	BEARING 6204	21001059	1	
45	GB11152-M6	INJECTION OIL CUP (STRAIGHT-THROUGH TYPE)	21110001	1	
46	MRS62-4005-01	NYLON WASHER	40504004	1	
47	PMR85D-804001	GEAR BOX CASING	40901021	1	
48	GB276-6207	BEARING 6207	21001062	1	
49	MRS80-804101C	ROBIN4.0 CRANK GEAR	40601002	1	
50	MRS62-4002PA	GEAR BOX COVER	40903017	1	
	MRS62-4002-Z	GEAR BOX COVER	40903004	1	NEUTRAL
51	MRS80-804302	CONNECTING ROD SHAFT END WASHER	40504003	1	
52	GB893.1-52	CIRCLIP FOR HOLE 52	20602008	1	
53	6304-NSK	BEARING 6304	21001016	1	
54	MRS80-804301B	CONNECTING ROD	40407001	1	
55	MRS80-804201C	4.0 PINION SHAFT	40602002	1	
56	GB1096-6X20	FLAT KEY 6X20	20901101	1	
57	6204-NSK	BEARING 6204	21001014	1	
58	GB894.1-35	CIRCLIP FOR SHAFT 35	20601014	1	
59	6007Z-NSK	BEARING 6007Z	21001006	1	
60	GB3452.1-95X3.1	O-RING 95x3.1	21101100	1	
61	GB13871-FB40x52x8	LIP-TYPE SEAL RING 40x52x8-FB	21106002	1	
62	EMR70-8000	OIL SEAL FRAME	40501004	1	
63	MRS80-807000C	HUB	40506002	1	
64	MRS80-804202	PINION GEAR SHAFT END WASHER	40504001	1	
65	GB5783-M8X30	BOLT M8X30	20102105	1	

PARTS LIST 2
PMR85D SERIES

HANDLE ASSEMBLY

PMR75R-BOM02-D



PMR75R-BOM02-D

PARTS LIST 2
PMR85D SERIES

HANDLE ASSEMBLY

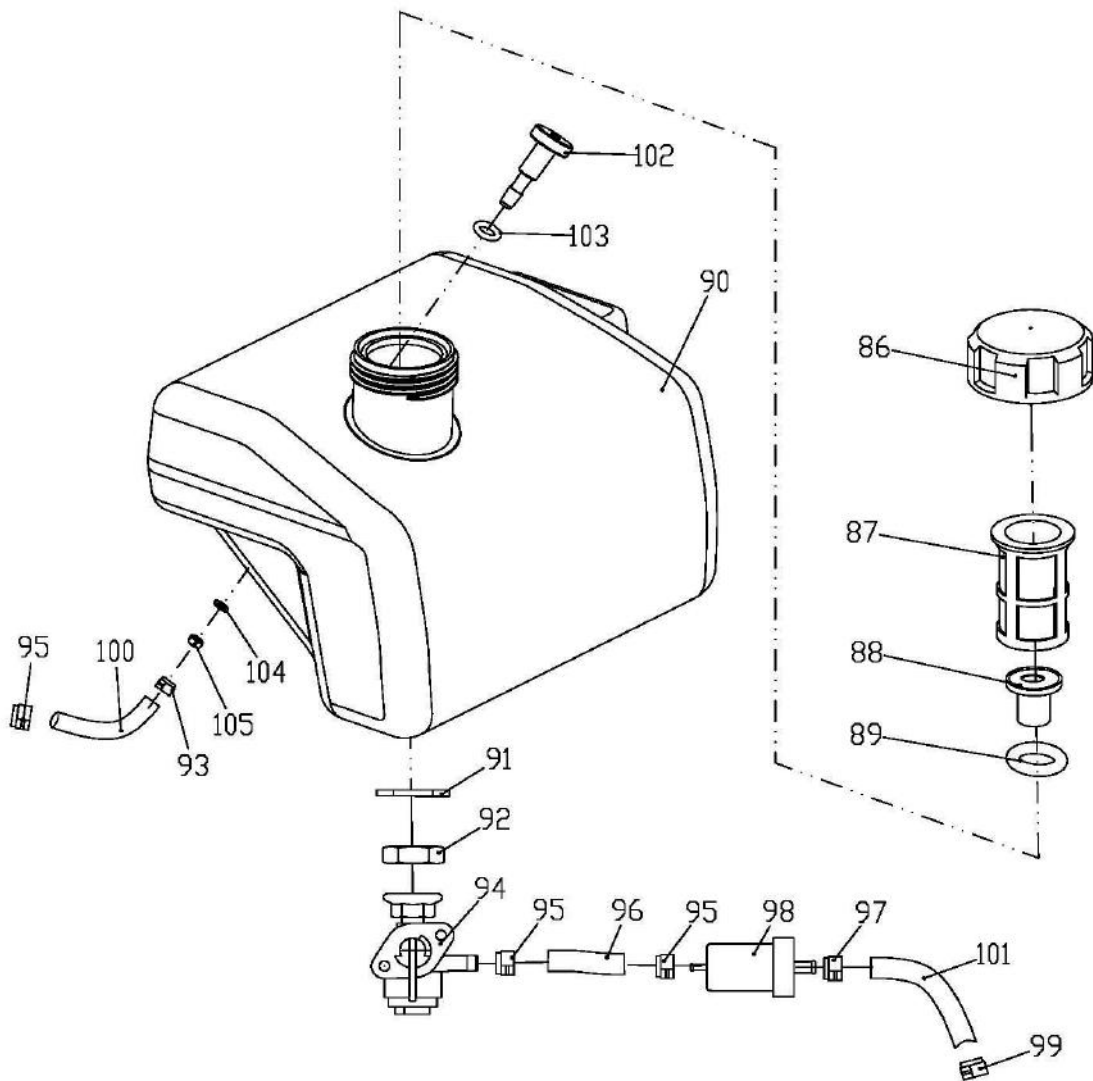
PMR75R-BOM02-D

ITEM NO.	PART NO.	DESCRIPTION	ERP NO.	QTY	REMARK
66	PMR75R-5000B	BEHIND COVER	41205008	1	
67	MRS80-805001GI	HANDLE	50503001	1	
68	GB97.1-6	FLAT WASHER 6	20501005	8	
69	GB93-6	SPRING WASHER 6	20509004	10	
70	GB5783-M6X16	HEX HEAD SCREW M6X16	20102053	8	
71	GB6170-M6	HEX NUT M6	20401003	2	
72	GB889.1-M8	HEX LOCK NUT M8	20405006	2	
73	GB93-10	SPRING WASHER 10	20509008	4	
74	GB97.1-10	FLAT WASHER 10	20501009	2	
75	MH4012.00.16C	RUBBER BLOCK	51701003	2	
76	GB6170-M10	HEX NUT M10	20401005	4	
77	GB5783-M10X20	HEX HEAD SCREW M10X20	20102150	4	
78	GB70.3-M6X16	SOCKET HEAD SCREW M6X16	20308051	2	
79	MR85D-9910A	THROTTLE CONTROL ASSY. (INCLUDING CABLE)	41403008	1	79 (80, 81,85)
80	MR85D-9910A-03W	THROTTLE WIRE FOR THROTTLE	40101049	1	NO PIC
81	MR85D-9910A-01W	THROTTLE CONTROL HANDLE COMPONENTS.	50603005	1	81 (82-84)
82	MR85D-9910A-02W	THROTTLE CONTROL HANDLE	21302010	1	NO PIC
83	GB6170-M6	HEX NUT M6	20401003	1	
84	GB5783-M6X30	HEX HEAD SCREW M6X30	20102056	1	
85	MR85D-9910A-04W	THROTTLE CONTROL CONDUIT	49904015	1	

PARTS LIST 3
PMR85D SERIES

FUEL TANK ASSEMBLY

PMR85D-BOM03-D



PMR85D-BOM03-D

PARTS LIST 3 PMR85D SERIES

FUEL TANK ASSEMBLY

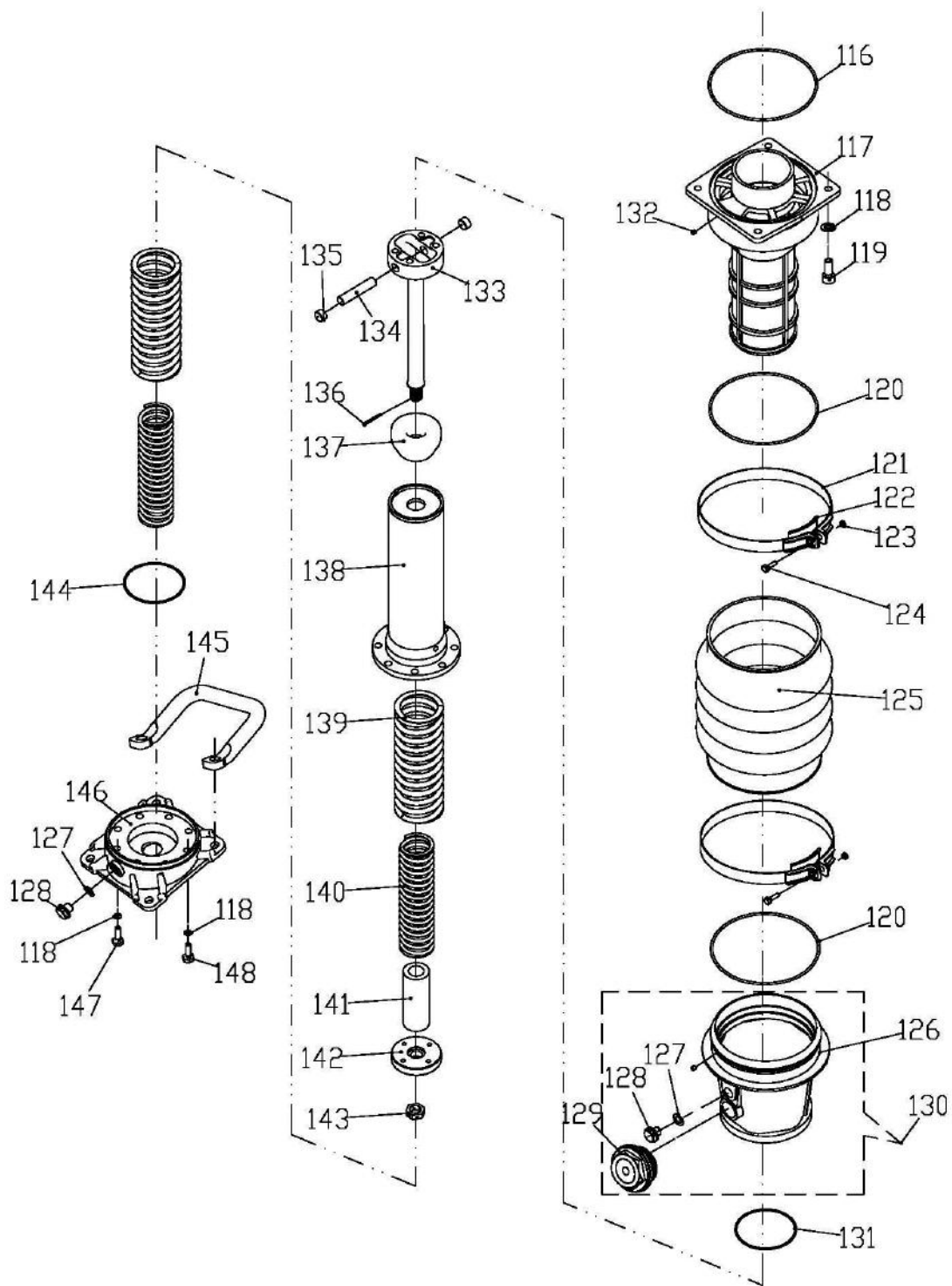
PMR85D-BOM03-D

ITEM NO.	PART NO.	DESCRIPTION	ERP NO.	QTY	REMARK
86	MRS80-801002NW	TANK COVER	40903054	1	
87	MRS80-801007A	TANK FILTER	41402007	1	
88	MRS80-801006	TANK OUTLET CONNECTION	41101001	1	
89	GB3452.1-14x3.55	O-RING 14X3.55	21101150	1	
90	MRS62-1001	TANK	41206002	1	
91	GB97.1-14	WASHER 14	20501012	1	
92	GB6173-M14x1.5	HEXAGONAL NUT	20407003	1	
94	MRS80-801009W	TANK SWITCH	41403001	1	
95	MRS80-801011W	OIL PIPE CALMP	41406003	3	
96	MR85D-801060W(9x4)	OIL PIPE	41001211	1	φ9×φ4
97	MRS80-801012W	OIL PIPE CALMP	41001122	1	
98	GX100/120KRSB-5A14T	FILTER	41402034	1	NO PIC
99	MRS80-801013W	OIL PIPE CALMP	41406006	1	NO PIC
100	MR85D-80210W(9x4)	OIL PIPE	41001212	1	φ9×φ4
101	MR85D-80150W(11x5)	OIL PIPE	41001213	1	φ12×φ5
102	MR85D-801015	RETURN PIPE CONNECTION	41101037	1	
103	GB3452.1-7.5x1.8	O-RING GB3452.1-7.5x1.8	21101002	1	
104	GB97.1-8	FLAT WASHER 8	20501007	1	
105	GB6170-M8	HEX NUT M8	20401004	1	

PARTS LIST 4
PMR85D SERIES

UNDER GUIDE ASSEMBLY

MR75R-BOM04-D



MR75R-BOM03-D

PARTS LIST 4 PMR85D SERIES

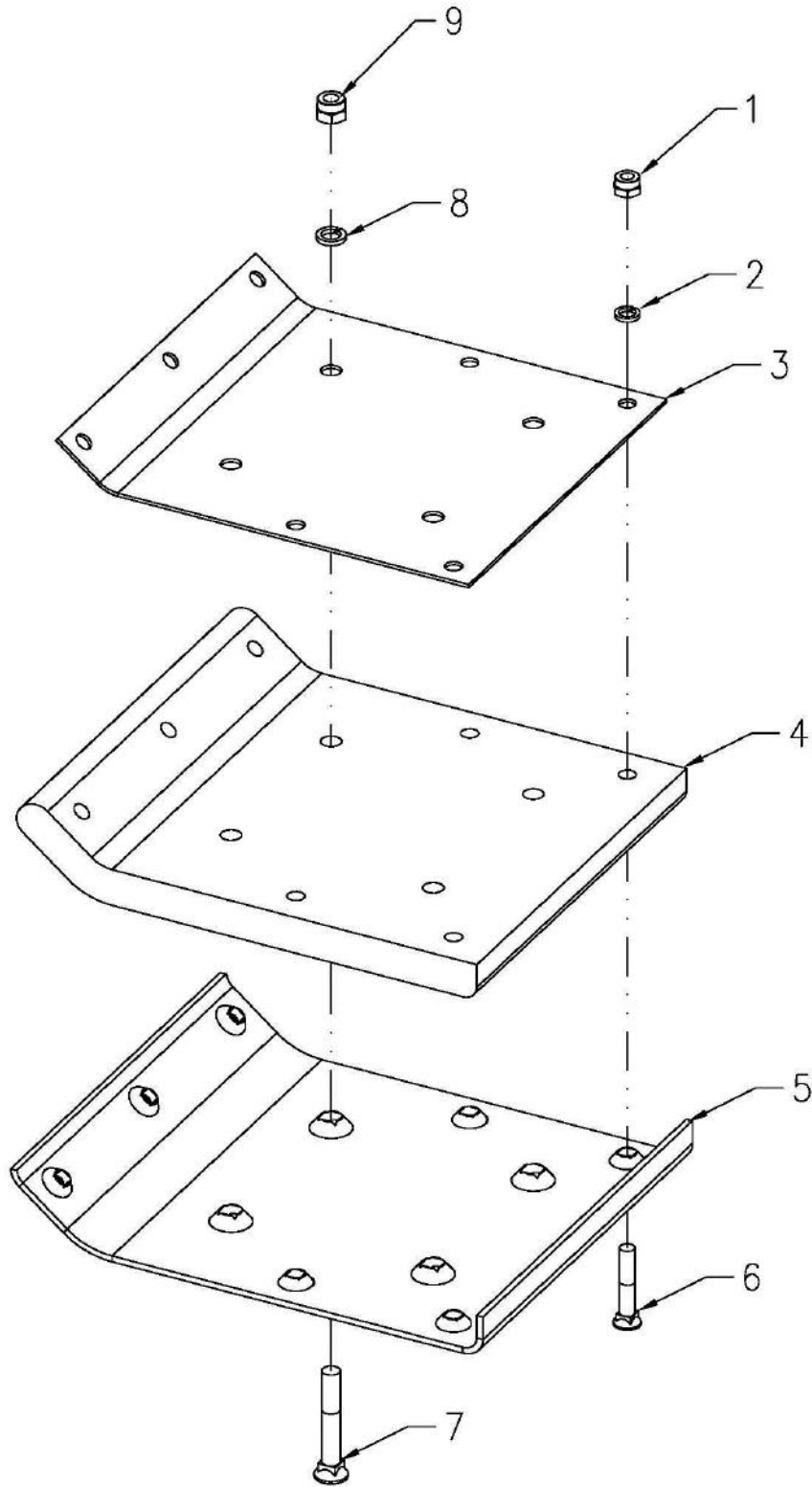
UNDER GUIDE ASSEMBLY

MR75R-BOM04-D

ITEM NO	PART NO.	DESCRIPTION	ERP NO.	QTY	REMARK
116	GB3452.1-160x5.3	O-RING 160X5.3	21101200	1	
117	MRS80-803201B	GUIDE BARREL	40505001	1	
118	GB93-10	WASHER 10	20509008	12	
119	GB5783-M10X35	BOLT M10X35	20306156	4	
120	GB3452.1-160x3.55	O-RING 160X3.55	21101153	2	
121	MRS80-803204D	BELLOW CALMP	40101001	2	
122	MRS62-3204C-04	LINER PLATE	40102001	2	
123	GB6170-M8	NUT M8	20401004	2	
124	GB5783-M8X40	BOLT M8X40	20102107	2	
125	MRS80-803203	BELLOW	41205003	1	
126	MRS80-803111E	DOWN GUIDING CYLINDER	40505002	1	
127	JB1002-14	COPPER WASHER	21105004	2	
128	MRS80.GZ01	PLUG SCREW M14X1,5	40401001	2	
129	GB1160.2-M24x1.5	LEVEL GAUGE M24X1.5	21110002	1	
130	MRS80-803112W	DOWN GUIDING CYLINDER ASSY.	50201012	1	130 (126~129) ,NO PIC
131	GB3452.1-95x2.65	O-RING 95X2.65	21101055	1	
132	MRS80-803202	BELLOW PIN	40402001	2	
133	MRS80-803301B	GUIDE PISTON	40406001	1	
134	MRS80-803302	PISTON PIN	40402002	1	
135	MRS80-803306	PISTON ROD	41201038	2	
136	GB91-3.2x36	COTTER PIN 3.2X36	20805050	1	
137	MRS80-803304	RUBBER	41202001	1	
138	MRS80-803102A	DOWN GUIDING BARREL	40505004	1	
139	MR85D-803001D	OUTER SPRING	40103002	2	
140	MR85D-803002D	INNER SPRING	40103007	2	
141	MR85D-803305	RUBBER COT	41201040	1	
142	MRS80-803303A	GUIDE PISTON	40705001	1	
143	GB9457-M18x1.5	SLOT NUT M18X1.5	20410001	1	
144	GB3452.1-87.5x3.55	O-RING 87.5X.55	21101152	1	
145	MRS80-802006B	DOWN WIRE	41003002	1	
146	MRS80-803101D	FOOT PLATE	40804001	1	
147	GB70.1-M10x20	HEXAGONAL BOLT M10X20	20306150	4	
148	GB70.1-M10x40	HEXAGONAL BOLT M10X40	20306158	4	

PARTS LIST 5
PMR85D SERIES

FOOT ASSEMBLY
PMR70HN-BOM06-D



PMR70HN-BOM06-D

PARTS LIST 5
PMR85D SERIES

FOOT ASSEMBLY

PMR70HN-BOM06-D

ITEM NO.	PART NO.	DESCRIPTION	ERP NO.	QTY	REMARK
1	GB889.1-M10	HEXAGONAL NUT M10-GB889	20405006	7	
2	GB93-10	SPRING WASHER 10-GB93	20509008	7	
3	PMR70RN.09-01	RAM PANEL	40207011	1	
4	PMR70RN.09-02	CRASH PAD	40207012	1	
5	PMR70RN.09-03	RAM PLATE	40207013	1	
6	MRS80-802005A	SQUARE NECK BOLT M10X52	20103005	7	
7	MRS80-802004A-70	SQUARE NECK BOLT M12X70	20103004	2	
8	GB93-12	SPRING WASHER 12-GB93	20509009	4	
9	GB889.1-M12	HEXAGONAL NUT M12-GB889	20405007	4	



MASTERPAC USA

1260 Old Franklin Turnpike
Suite B, Rocky Mount, Virginia 24151, USA
Tel: +1-540-483-2606
E-mail: usa@masterpac.eu

MASTERPAC ASIA:

Add. Weisi Road, Baohe Industrial Estate, P.R.C.
Tel. 86-551-64846601, 64846580
Fax. 86-551-64846616, 64846626
E-mail. sales@masterpac.eu
www.masterpac.eu