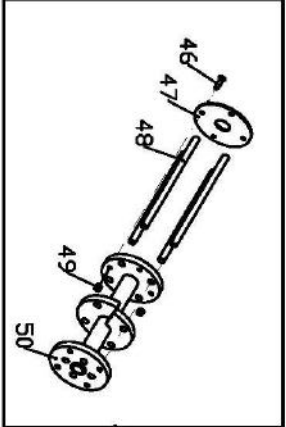
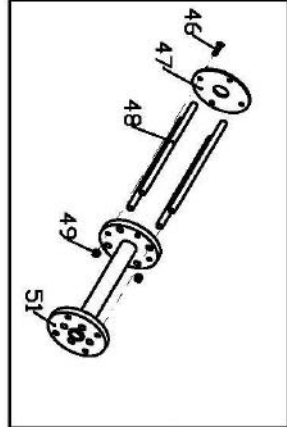
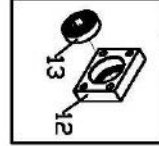
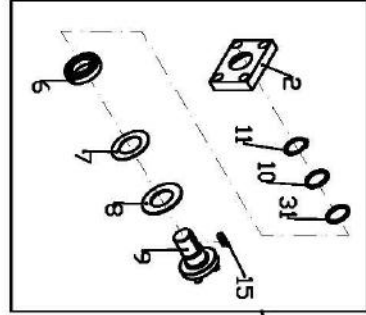
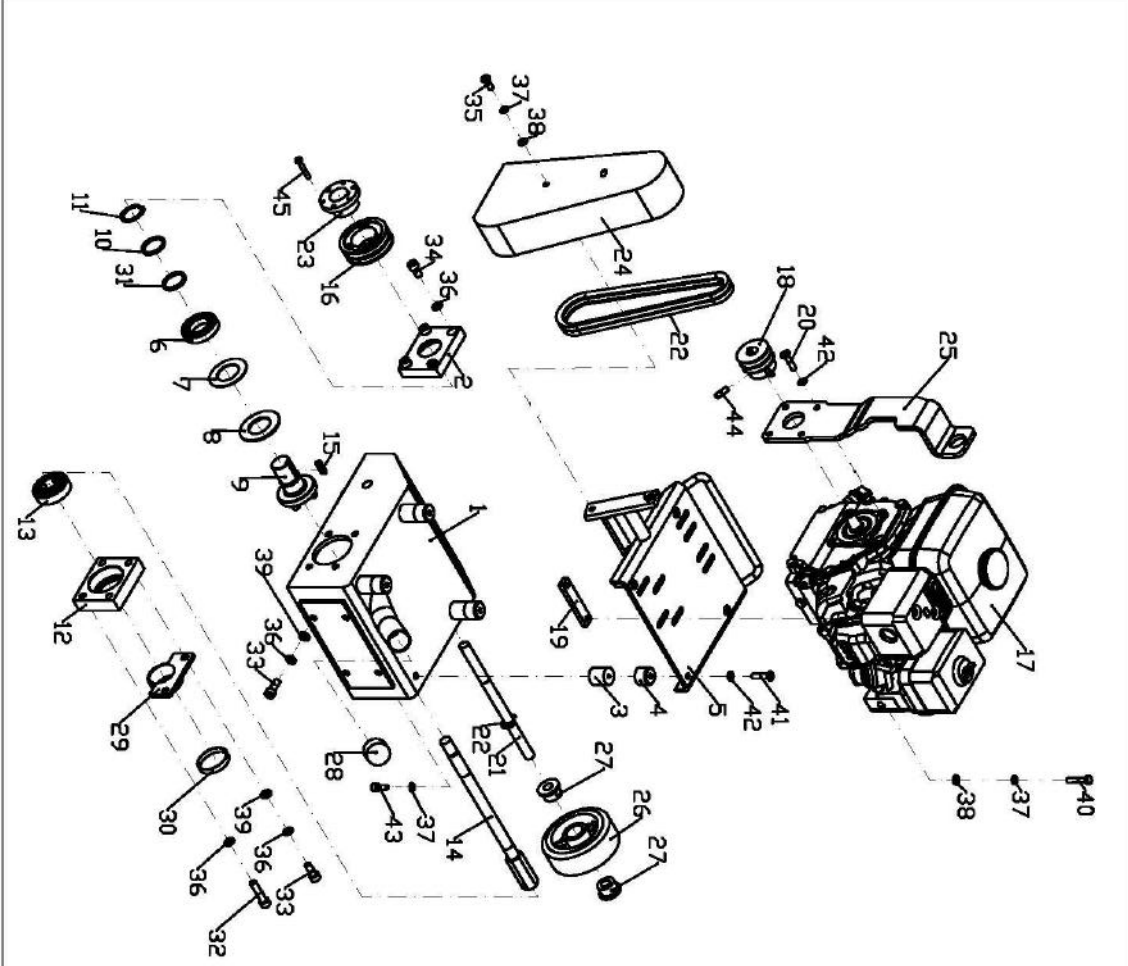
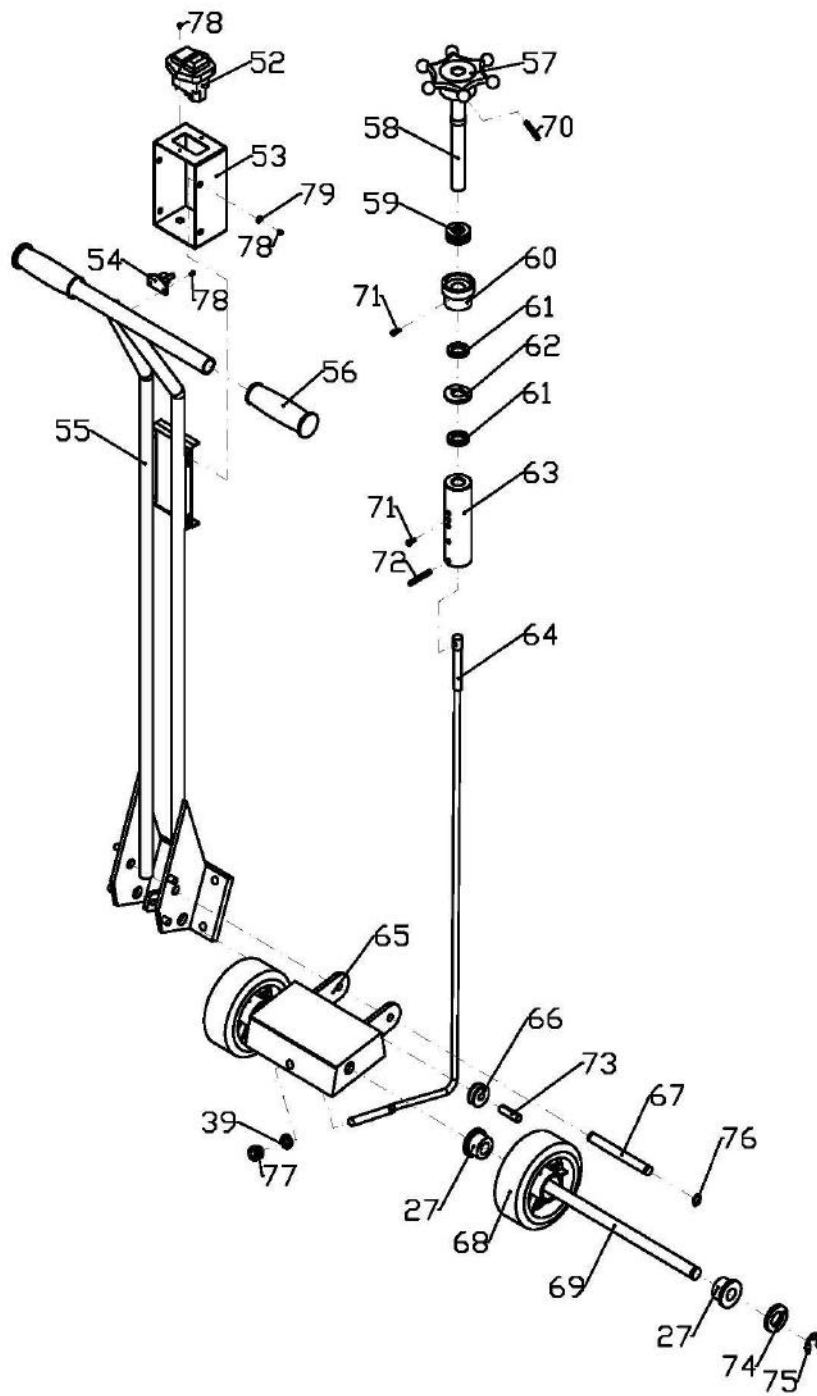


## ESPLOSO PIU' ELENCO RICAMBI SCARIFICATRICE TSS200





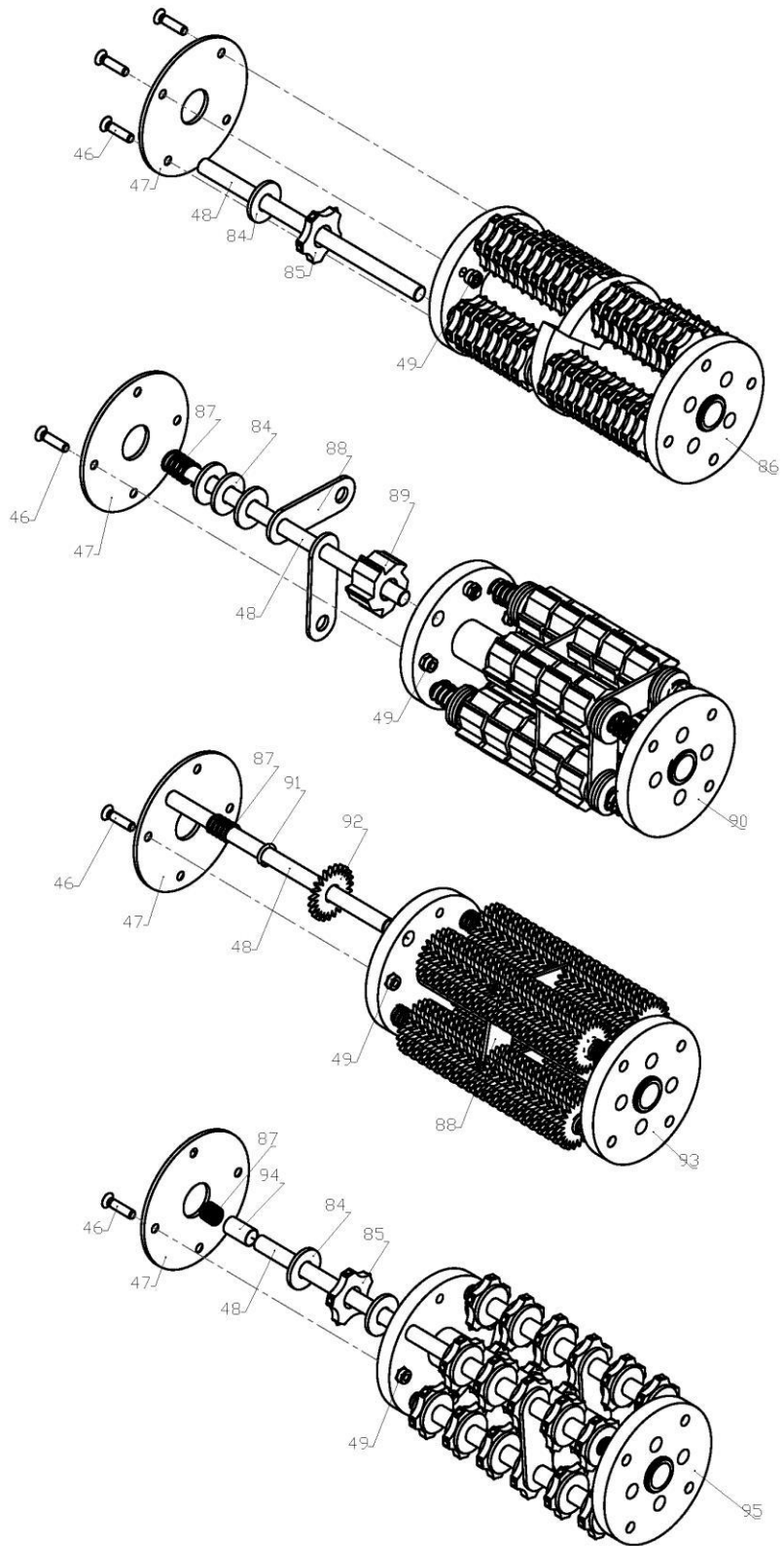


PARTS LIST 2

ITEM NO.	PART NO.	DESCRIPTION	QTY	REMARK
1	MC920001-1	OBLIQUE HOUSING	1	
	MC920001-2	SQUARE HOUSING	1	
2	MC920002	LEFT DRIVE FLANGE	1	
3	MC920003	VIBRATION DAMPER	4	
4	MC920004	GASKET	4	
5	MC920005-1	ENGINE MOUNTING PLATE-GAS	1	
	MC92000-2	ENGINE MOUNTING PLATE-ELECTRICAL	1	
6	MC920006	BEARING	1	
7	MC920007	FELT WASHER LG.	1	
8	MC920008	Φ 70*40 BEARING COVER PLATE	1	
9	MC920009	DRIVE SPINDLE	1	
10	MC920010	FELT WASHER SM.	1	
11	MC920011	SNAP RING	1	
12	MC920012	RIGHT DRIVE FLANGE	1	
13	MC920013	BEARING-HEX ID	1	
14	MC920014	HEXAGONAL ROD	1	
15	MC920015	KEY	1	
16	MC920016	OUTSIDE TENSIONING WHEEL	1	
17	MC920017-1	ENGINE HONDA 5.5HP	1	
	MC920017-2	ENGINE -LONCIN 5.0HP	1	
	MC920017-3	ENGINE -ROBIN 5.0HP	1	
	MC920017-4	MOTOR	1	
18	MC920018-1	PULLEY FOR HONDA	1	
	MC920018-2	PULLEY FOR LONCIN	1	
	MC920018-3	PULLEY FOR ROBIN	1	
	MC920018-4	PULLEY FOR MOTOR	1	
19	MC920019	SLIDER NUT	2	
20	MC920020	M8*20 SCREW	4	
21	MC920021	FRONT AXLE	1	
22	MC920022-1	BELT	2	
	MC920022-2	BELT-ELECTRIC	2	
23	MC920023	INSIDE TENSIONING WHEEL	1	
24	MC920024	BELT GUARD	1	
25	MC920025	LIFTING HOOK	1	
26	MC920026-1	FRONT WHEEL-OBLIQUE	2	
	MC920026-2	FRONT WHEEL-SQUARE	2	
27	MC920027	NYLON SLEEVE	4	
28	MC920028	Φ 40 RUBBER COVER	1	
29	MC920029	HEXAGONAL BEARING COVER	1	
30	MC920030	Φ 54 RUBBER COVER	1	
31	MC920031	FELT WASHER	1	
32	MC920032	M10*25 SCREW	2	
33	MC920033	M10*45 SCREW	2	
34	MC920034	SCREW	4	
35	MC920035	SCREW	1	

36	MC920036	LOCKWASHER	8	
37	MC920037	LOCKWASHER	4	
38	MC920038	FLAT WASHER	4	
39	MC920039	FLAT WASHER	4	
40	MC920040	SCREW	4	
41	MC920041	SCREW	4	
42	MC920042	Φ 8 LOCKWASHER	8	
43	MC920043	SCREW	4	
44	MC920044	SET SCREW	1	
45	MC920045	SCREW	1	
46	MC920046	SCREW	4	
47	MC920047	SHAFT RETAINING PLATE	1	
48	MC920048	CUTTER SHAFT	4	
49	MC920049	LOCKNUT	4	
50	MC920050	TYPE "A" CAGE	1	
51	MC920051	TYPE "B" CAGE	1	
52	MC920052-1	SWITCH 110V	1	
	MC920052-2	SWITCH 220V	1	
	MC920052-3	SWITCH 380V	1	
53	MC920053-1	110V/220V SWITCH BOX	1	
	MC920053-2	380V SWITCH BOX	1	
54	MC920054	STOP SWITCH	1	
55	MC920055	HANDLE	1	
56	MC920056	HANDLE GRIPS	2	
57	MC920057	HAND KNOB	1	
58	MC920058	SCRE SHAFT	1	
59	MC920059	BEARING	1	
60	MC920060	BUSHING	1	
61	MC920061	WASHER	2	
62	MC920062	WAVE WASHER	1	
63	MC920063	SLIDE BUSHING	1	
64	MC920064	CABLE	1	
65	MC920065	LIFT PLATE	1	
66	MC920066	PULLEY	1	
67	MC920067	PIN-LIFT PLATE	1	
68	MC920068	WHEEL	2	
69	MC920069	REAR AXLE	1	
70	MC920070	SPIRAL PIN	1	
71	MC920071	SCREW	1	
72	MC920072	SPIRAL PIN	1	
73	MC920073	SPIRAL PIN	1	
74	MC920074	GASKET	2	
75	MC920075	SPRING	2	
76	MC920076	SPRING	2	
77	MC920077	LOCKNUT	1	
78	MC920078	M4*10 SCREW	8	
79	MC920079	FLAT WASHER	8	

80	MC920080	"A" CAGE ASSEMBLY	1	
81	MC920081	"B" CAGE ASSEMBLY	1	
82	MC920082	DRIVE SPINDLE ASSY	1	
83	MC920083	HEXAGONAL BEARING ASSY	1	



## PARTS LIST 2

ITEM NO.	PART NO.	DESCRIPTION	QTY	REMARK
84	MC920084	WASHER $\varnothing$ 30	84	
85	MC920085	SMALL BLADE	76	
86	MC920086	CAGE ASSY. M200		OPTIONAL
87	MC920087	SPRING $\varnothing$ 15 $\times$ 22	8	
88	MC920088	CLAMP	12	
89	MC920089	ASPHALT BLADE	20	
90	MC920090	CAGE ASSY. M300		OPTIONAL
91	MC920091	SPRING WASHER $\varnothing$ 13	32	
92	MC920092	STEEL BLADE	84	
93	MC920093	CAGE ASSY. M400		OPTIONAL
94	MC920094	LINER PIPE	20	
95	MC920095	CAGE ASSY. M500		OPTIONAL